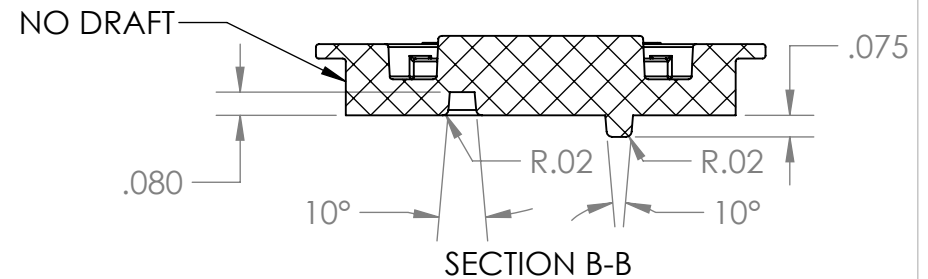
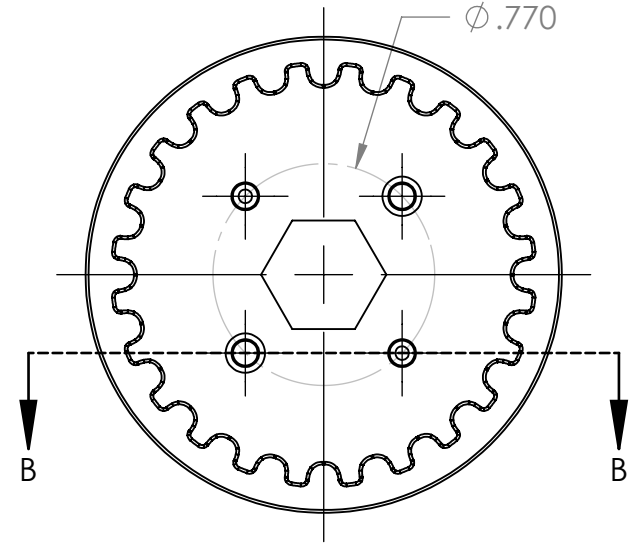
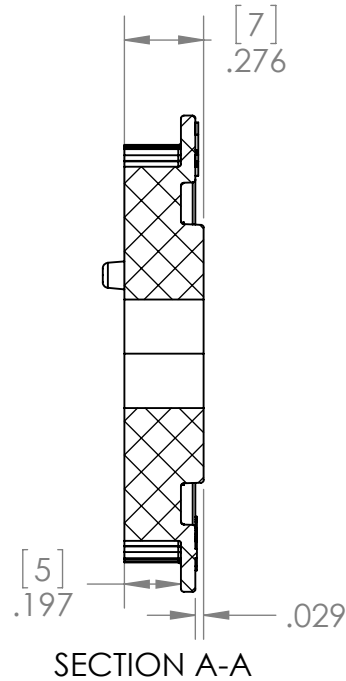
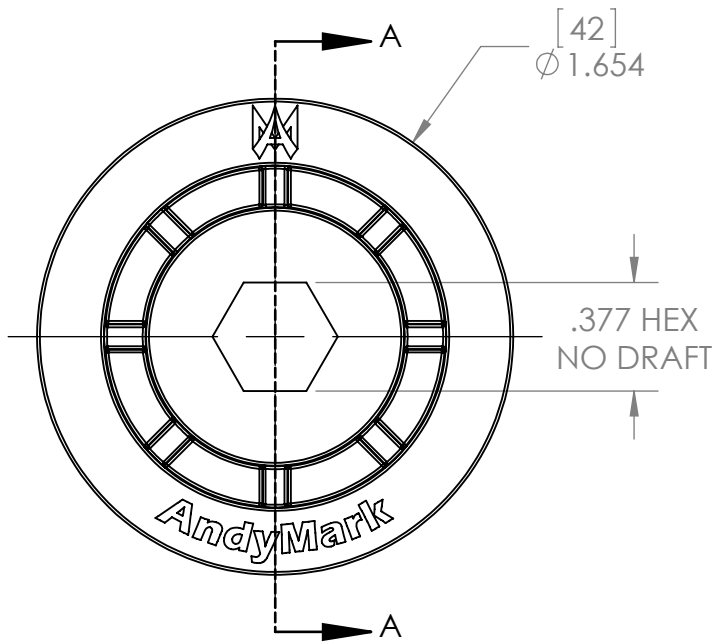
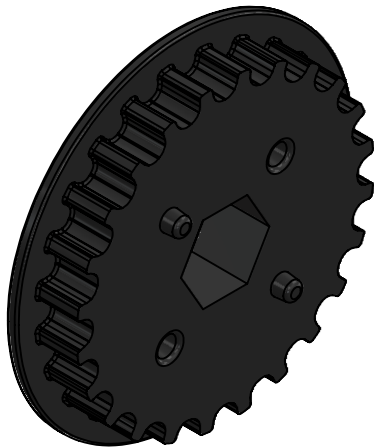



REVISIONS			
REV.	DESCRIPTION	DATE	APPROVED
1	ORIGINAL PRINT	5/25/2016	N. LAWRENCE



\*\*\*PLEASE SEE ADDITIONAL CAD GEOMETRY FOR TOOLPATH INFORMATION\*\*\*



UNLESS OTHERWISE SPECIFIED:		NAME	DATE	
DIMENSIONS ARE IN INCHES		DRAWN	5/25/16	
TOLERANCES:		CHECKED		TITLE:
FRACTIONAL $\pm 1/32$		ENG APPR.		24T HTD PULLEY HALF
ANGULAR: MACH $\pm$ BEND $\pm 5^\circ$		MFG APPR.		375 HEX BORE
ONE PLACE DECIMAL $\pm 0.1$		Q.A.		SIZE DWG. NO. REV
TWO PLACE DECIMAL $\pm 0.01$		COMMENTS:		A am-3402 1
THREE PLACE DECIMAL $\pm 0.005$		ALL RADS R0.01" UNLESS OTHERWISE SPECIFIED.		SCALE: 1.5:1 WEIGHT: SHEET 1 OF 1
INTERPRET GEOMETRIC TOLERANCING PER:		2° DRAFT APPLIED UNLESS OTHERWISE SPECIFIED		
MATERIAL				
POLYCARBONATE				
FINISH				
DEBURRED				
DO NOT SCALE DRAWING				