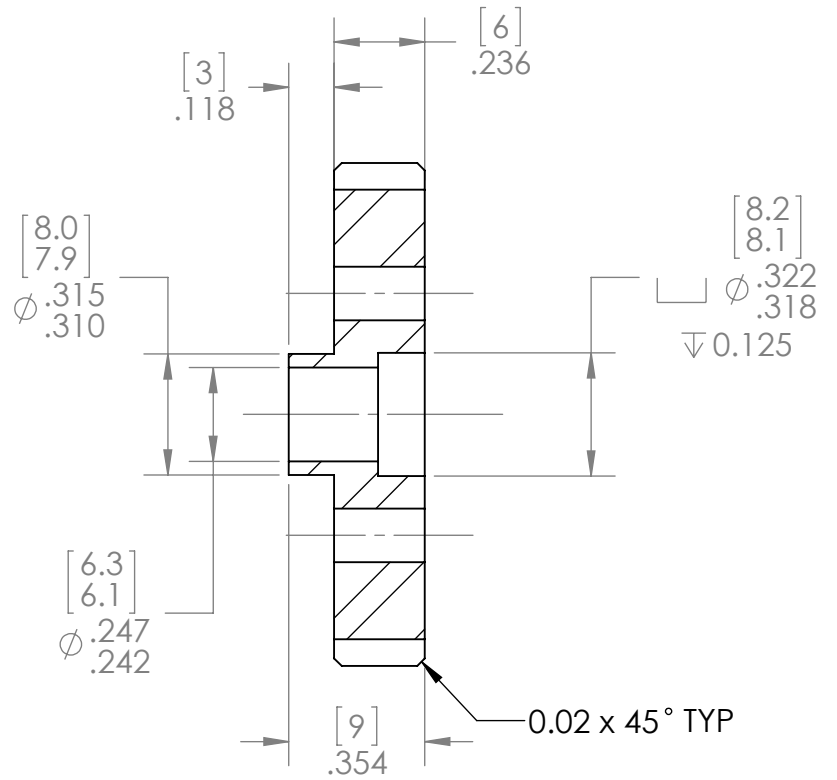
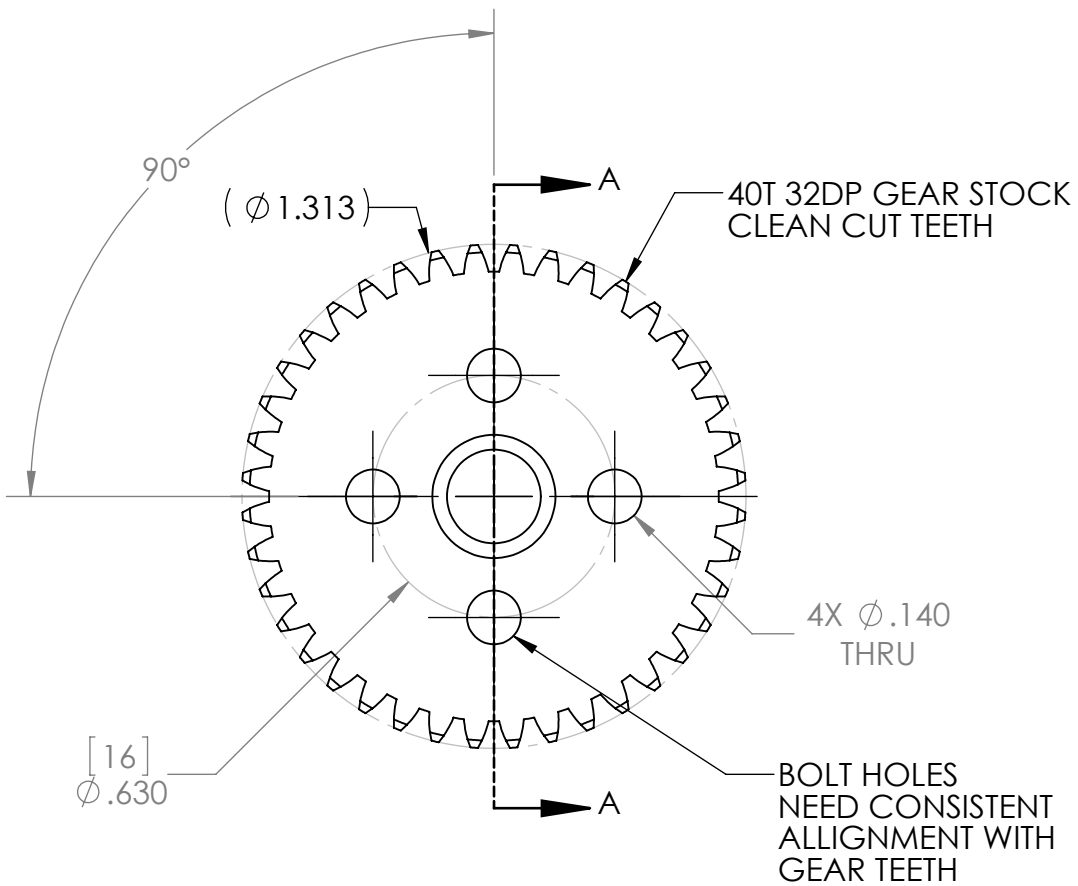
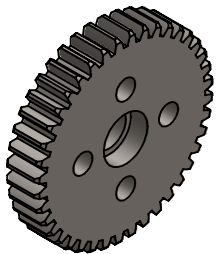


REVISIONS			
REV.	DESCRIPTION	DATE	APPROVED
1	ORIGINAL PRINT	6/1/2016	N. LAWRENCE



SECTION A-A



UNLESS OTHERWISE SPECIFIED:	NAME	DATE
DIMENSIONS ARE IN INCHES	DRAWN	NL 6/1/16
TOLERANCES:	CHECKED	
FRACTIONAL $\pm 1/32$	ENG APPR.	
ANGULAR: MACH $\pm 1^\circ$ BEND $\pm 5^\circ$	MFG APPR.	
ONE PLACE DECIMAL ± 0.1	Q.A.	
TWO PLACE DECIMAL ± 0.01	COMMENTS:	
THREE PLACE DECIMAL ± 0.005	DUAL DIMENSIONS ARE IN MILLIMETERS.	
INTERPRET GEOMETRIC TOLERANCING PER:	BREAK ALL SHARP EDGES.	
MATERIAL		
4140 AISI STEEL		
FINISH		
ZINC PLATED		
DO NOT SCALE DRAWING		



TITLE:
40T 32DP 6mm Bore
Nub Gear

SIZE	DWG. NO.	REV
A	am-3407	1
SCALE: 2:1	WEIGHT:	SHEET 1 OF 1