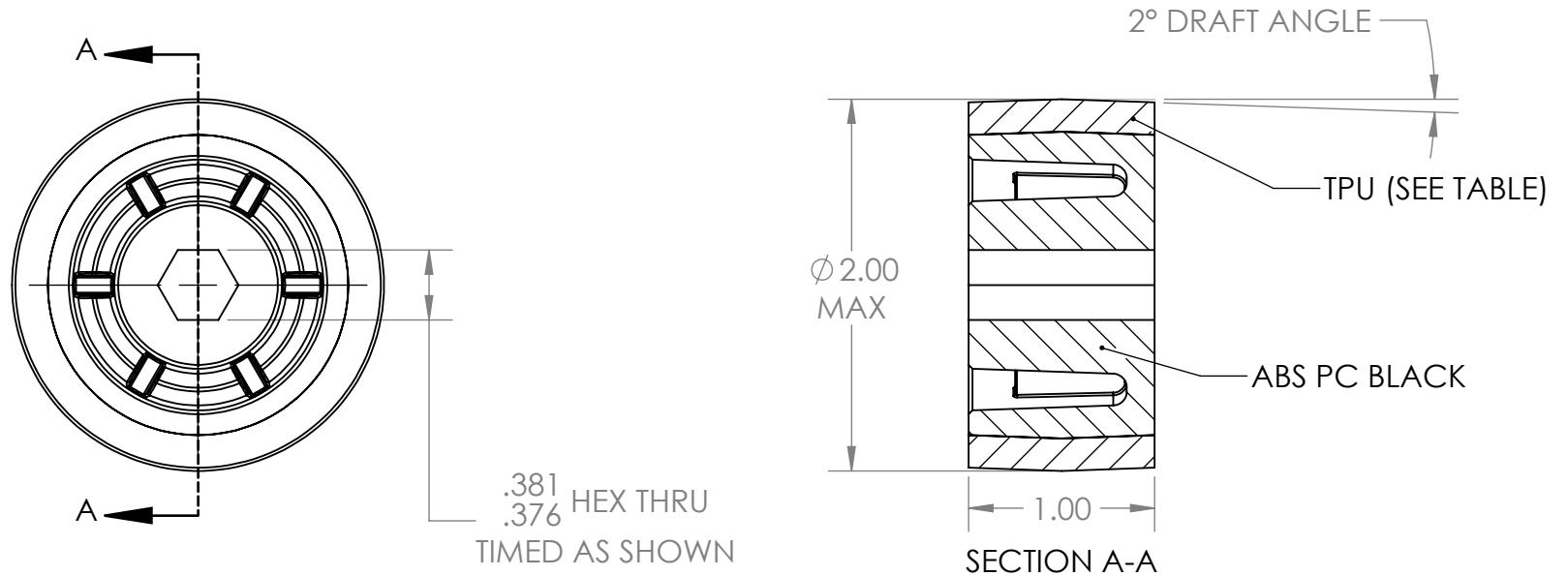



REVISION HISTORY			
REV.	DESCRIPTION	DATE	DRAWN BY
1	ORIGINAL PRINT	9/08/2016	N. LAWRENCE
2	DRAWN TO MEET AMDS-1	5/17/2018	B. HODSON



\*\*\* SEE CAD FOR ADDITIONAL TOOLPATH INFO\*\*\*

DUROMETER VARIATIONS			UNLESS OTHERWISE SPECIFIED:		COMMENTS:				
<b>TREAD COLOR</b>	<b>TREAD DUROMETER</b>	<b>PART NUMBER</b>	<b>DIMENSIONS ARE IN INCHES</b>		DUAL DIMENSIONS ARE IN MILLIMETERS.		TITLE:		
Gray	77A	am-3436	TOLERANCES:		BREAK ALL SHARP EDGES		2IN STEALTH WHEEL		
Black	65A	am-3436_blk	FRACTIONAL	±1/16			375IN HEX BORE		
Blue	50A	am-3436_blue	ANGULAR: MACH	±1°			SIZE	DWG. NO.	REV
Green	35A	am-3436_green	ANGULAR: BEND	±5°			<b>A</b>	am-3436	<b>2</b>
			ONE PLACE DECIMAL	±0.1			SCALE: 1:1	WEIGHT:	SHEET 1 OF 1
			TWO PLACE DECIMAL	±0.01					
			THREE PLACE DECIMAL	±0.005					
			FOUR PLACE DECIMAL	±0.0005					
			MATERIAL	TPU AND ABS	CHECKED	NAME	DATE		
			FINISH		ENG APPR.	NL	6/15/18		
					MFG APPR.				
					Q.A.				
			DO NOT SCALE DRAWING						