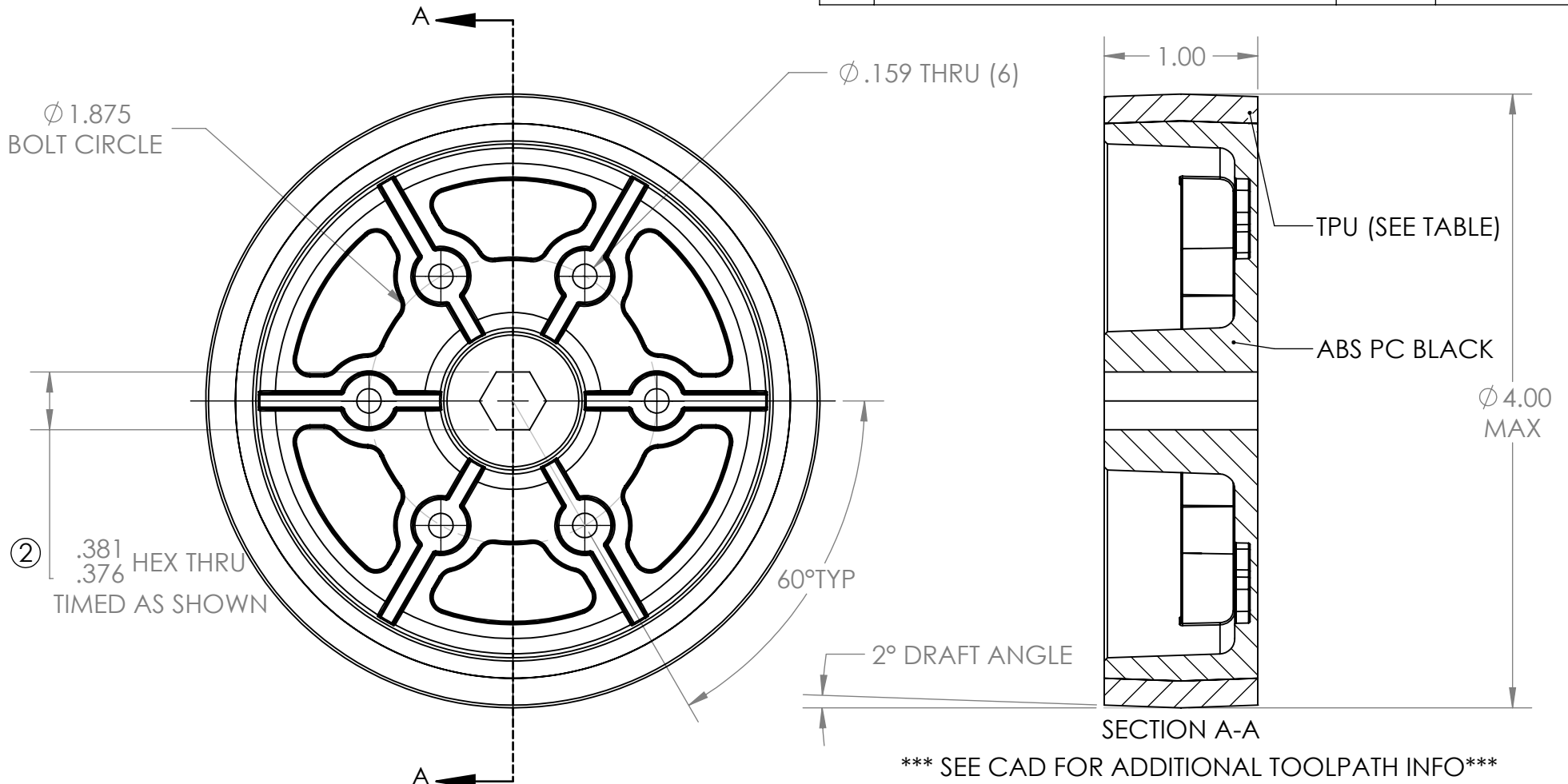


REVISION HISTORY			
REV.	DESCRIPTION	DATE	DRAWN BY
1	ORIGINAL PRINT	9/8/2016	N. LAWRENCE
2	UPDATED TOLERANCES	5/29/2018	B. HODSON



*** SEE CAD FOR ADDITIONAL TOOLPATH INFO***

UNLESS OTHERWISE SPECIFIED:		COMMENTS:	
DIMENSIONS ARE IN INCHES		DUAL DIMENSIONS ARE IN MILLIMETERS.	
TOLERANCES:		BREAK ALL SHARP EDGES	
FRACTIONAL	±1/16		
ANGULAR: MACH	±1°		
ANGULAR: BEND	±5°		
ONE PLACE DECIMAL	±0.1		
TWO PLACE DECIMAL	±0.01		
THREE PLACE DECIMAL	±0.005		
FOUR PLACE DECIMAL	±0.0005		
MATERIAL	TPU AND ABS	CHECKED	NAME NL DATE 6/12/18
FINISH		ENG APPR.	
		MFG APPR.	
		Q.A.	



TITLE:
4IN STEALTH WHEEL
375IN HEX BORE

DUROMETER VARIATIONS		
TREAD COLOR	TREAD DUROMETER	PART NUMBER
Gray	77A	am-3435
Black	65A	am-3435_blk
Blue	50A	am-3435_blue
Green	35A	am-3435_green

SIZE	DWG. NO.	REV
A	am-3435	2
SCALE: 1:1	WEIGHT:	SHEET 1 OF 1