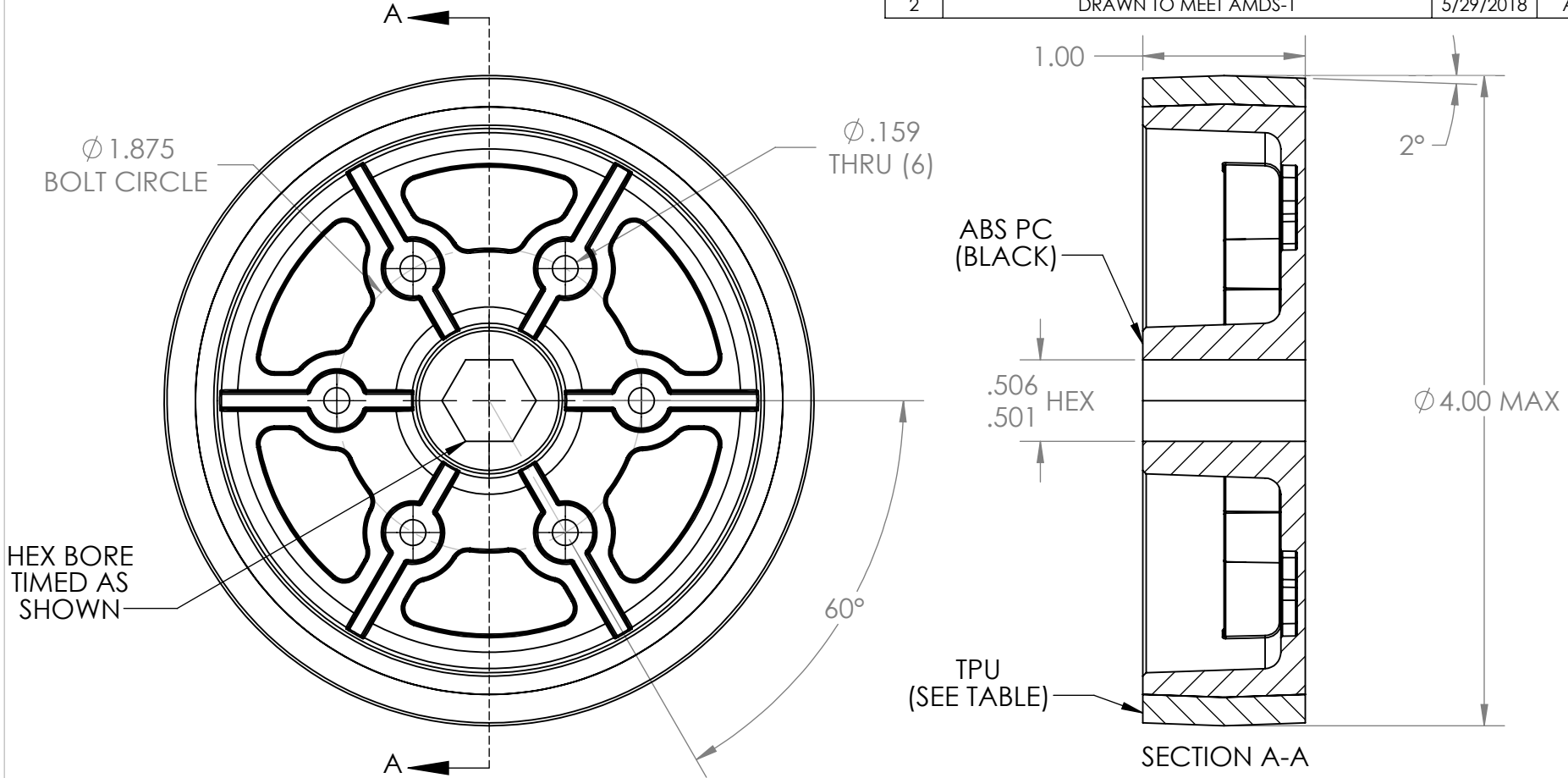


REVISION HISTORY			
REV.	DESCRIPTION	DATE	DRAWN BY
1	ORIGINAL PRINT	11/26/2013	D. BLAU
1.1	ADDED TABLE OF OTHER DUROMETERS	12/9/2015	N. LAWRENCE
2	DRAWN TO MEET AMDS-1	5/29/2018	A. SHORES



\*\*\* SEE CAD FOR ADDITIONAL TOOLPATH INFO\*\*\*

UNLESS OTHERWISE SPECIFIED:		COMMENTS:	
<b>DIMENSIONS ARE IN INCHES</b>		DUAL DIMENSIONS ARE IN MILLIMETERS.	
TOLERANCES:		BREAK ALL SHARP EDGES	
FRACTIONAL	±1/16		
ANGULAR: MACH	±1°		
ANGULAR: BEND	±5°		
ONE PLACE DECIMAL	±0.1		
TWO PLACE DECIMAL	±0.01		
THREE PLACE DECIMAL	±0.005		
FOUR PLACE DECIMAL	±0.0005		
MATERIAL	ABS PC AND TPU	CHECKED	NAME NL
FINISH	DEBURRED	ENG APPR.	DATE 6/6/18
		MFG APPR.	
		Q.A.	



TITLE:  
**4IN STEALTH WHEEL  
 500IN HEX BORE**

Durometer Variations		
Tread Colour	Tread Durometer	Part Number
GRAY	77A	am-2647
BLACK	65A	am-2647_blk
BLUE	50A	am-2647_blue
GREEN	35A	am-2647_green

SIZE	DWG. NO.	REV
<b>A</b>	<b>am-2647</b>	<b>2</b>
SCALE: 1:1	WEIGHT:	SHEET 1 OF 1