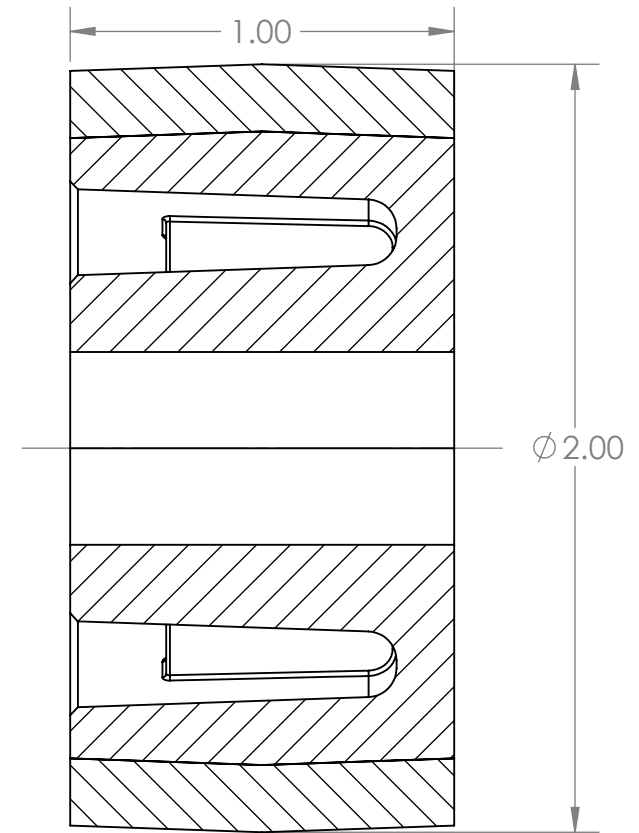
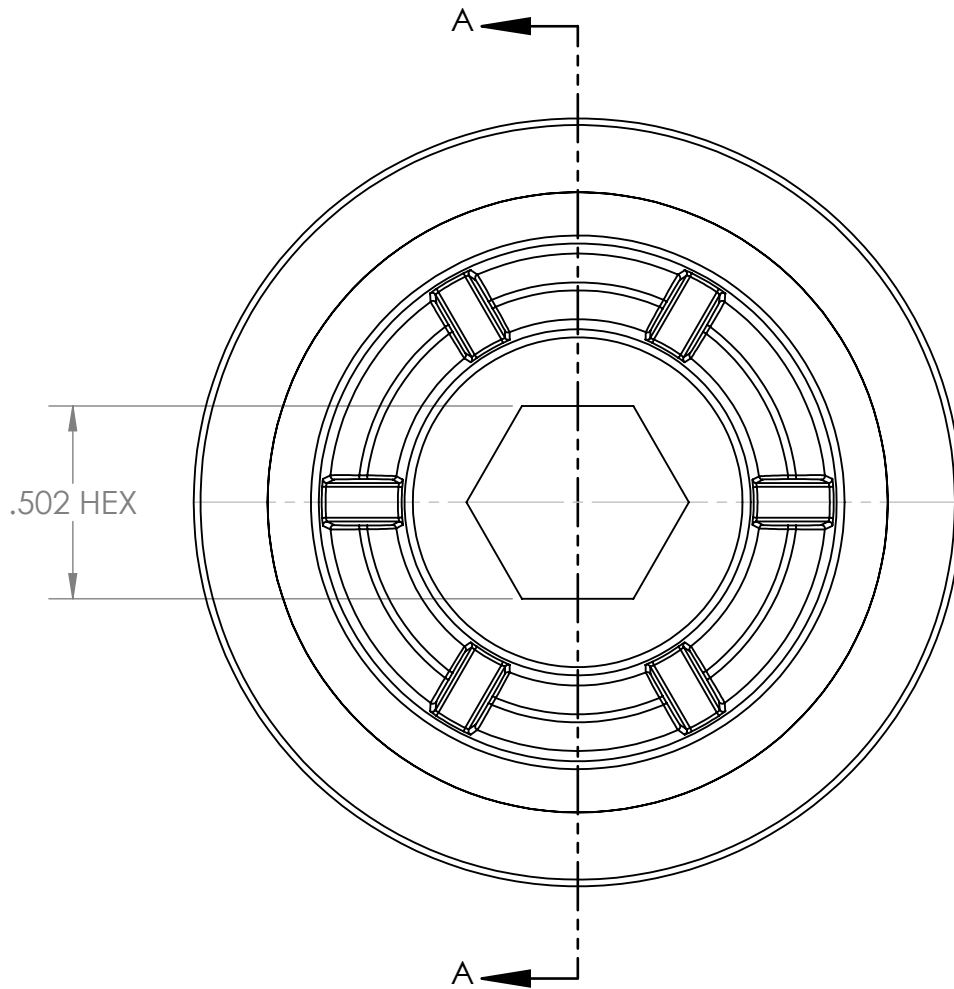


REV	DESCRIPTION OF CHANGES
1	ORIGINAL PRINT
1.1	Added table of other durometers (NL, 12/15)



SECTION A-A
SCALE 2 : 1

UNLESS OTHERWISE SPECIFIED:

DIMENSIONS ARE IN INCHES
TOLERANCES:
FRACTIONAL ±
ANGULAR: MACH ± BEND ±5°
TWO PLACE DECIMAL ±0.010
THREE PLACE DECIMAL ±0.005

INTERPRET GEOMETRIC
TOLERANCING PER:

MATERIAL
ABS PC AND TPU
FINISH
DEBURRED

DO NOT SCALE DRAWING

NAME
NL

DATE
12/9/15

DRAWN
CHECKED
ENG APPR.
MFG APPR.

Q.A.
COMMENTS:
2° DRAFT APPLIED FOR
MOLD RELEASE



TITLE:

2in Stealth Wheel
500 HEX

SIZE	DWG. NO.	REV
A	am-3155	1.1

SCALE: 2:1	WEIGHT:	SHEET 1 OF 1

Durometer Variations

Tread Colour	Tread Durometer	Part Number
Gray	77A	am-3155
Black	65A	am-3155_blk
Blue	50A	am-3155_blue