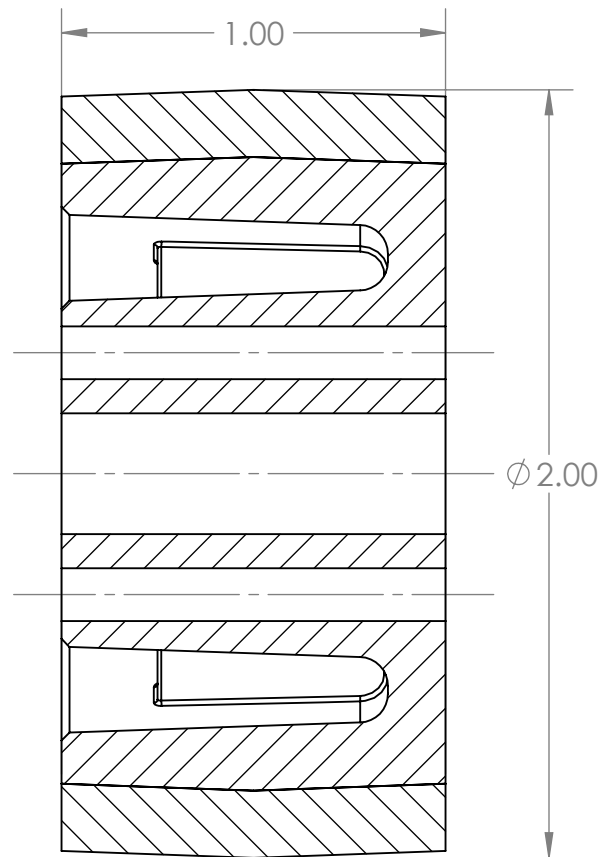
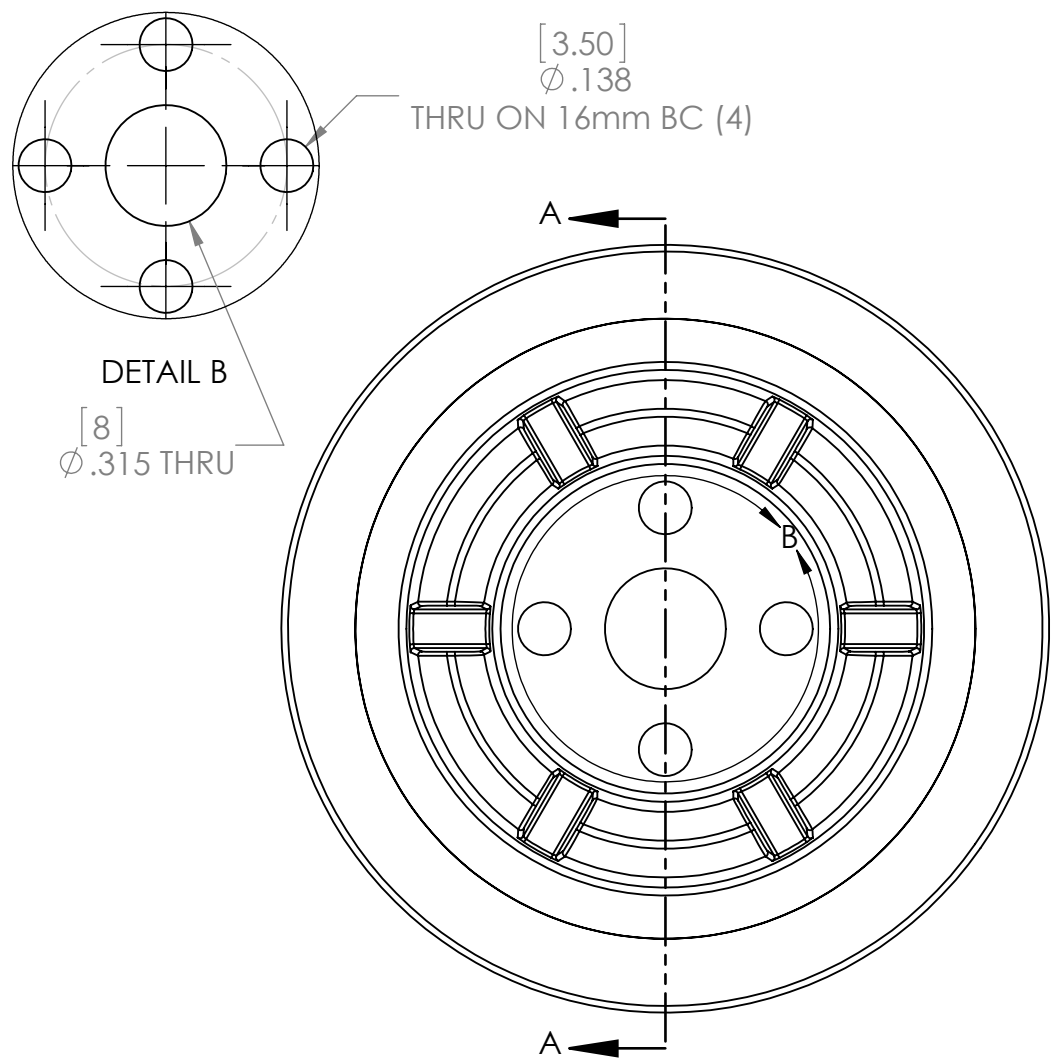


REV	DESCRIPTION OF CHANGES
1	ORIGINAL PRINT
1.1	Added table of other durometers (NL, 12/15)



SECTION A-A

UNLESS OTHERWISE SPECIFIED:		NAME	DATE
DIMENSIONS ARE IN INCHES		DRAWN	NL 12/9/15
TOLERANCES:		CHECKED	
FRACTIONAL ±		ENG APPR.	
ANGULAR: MACH ± BEND ±5°		MFG APPR.	
TWO PLACE DECIMAL ±0.010		Q.A.	
THREE PLACE DECIMAL ±0.005		COMMENTS:	
INTERPRET GEOMETRIC TOLERANCING PER:		- DUAL DIMENSIONS ARE IN MILLIMETERS - 2° DRAFT APPLIED FOR MOLD RELEASE	
MATERIAL			
ABS PC AND TPU			
FINISH			
DEBURRED			
DO NOT SCALE DRAWING			



TITLE:
**2in Stealth Wheel
 8mm Hub**

SIZE	DWG. NO.	REV
A	am-3156	1.1
SCALE: 2:1	WEIGHT:	SHEET 1 OF 1

Durometer Variations		
Tread Colour	Tread Durometer	Part Number
Gray	77A	am-3156
Black	65A	am-3156_blk
Blue	50A	am-3156_blue