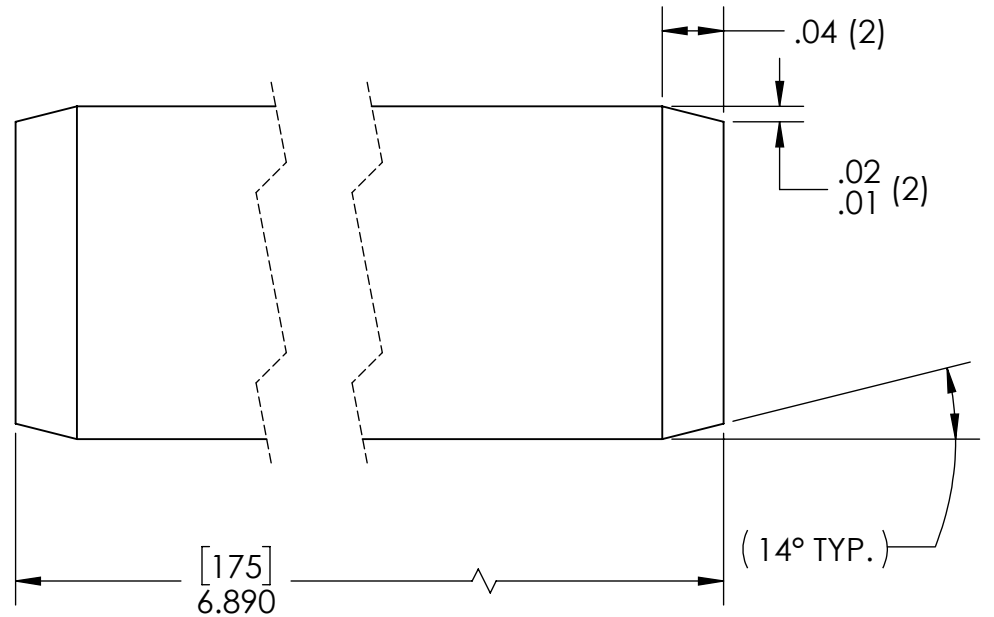
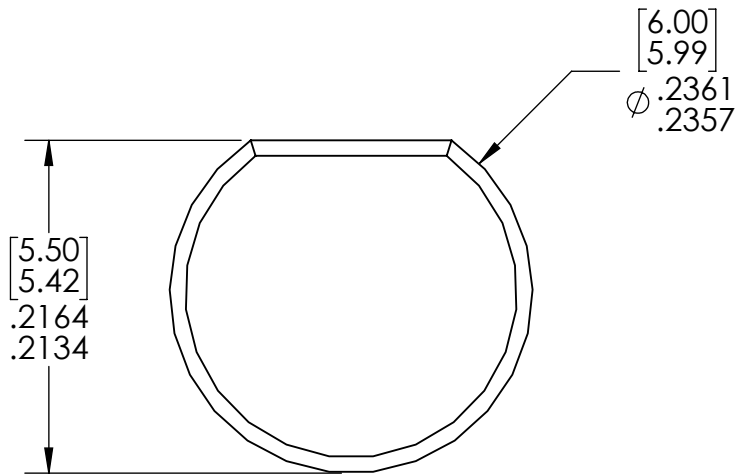



REVISION HISTORY			
REV.	DESCRIPTION	DATE	DRAWN BY
1	ORIGINAL PRINT	7/14/2016	D. BLAU
2	DRAWN TO MEET AMDS-1	5/16/2018	A. SHORES
3	ALTERED CHAMFERS	8/16/2018	D. BLAU



○
ACTUAL SIZE

*** SEE CAD FOR ADDITIONAL TOOLPATH INFO***

UNLESS OTHERWISE SPECIFIED:		COMMENTS:					
DIMENSIONS ARE IN INCHES		DUAL DIMENSIONS ARE IN MILLIMETERS.					
TOLERANCES:		BREAK ALL SHARP EDGES.		TITLE:			
FRACTIONAL	±1/16			6mm D SHAFT			
ANGULAR: MACH	±1°			175mm FINISHED LENGTH			
ANGULAR: BEND	±5°						
ONE PLACE DECIMAL	±0.1						
TWO PLACE DECIMAL	±0.01						
THREE PLACE DECIMAL	±0.005						
FOUR PLACE DECIMAL	±0.0005						
MATERIAL	4140 STEEL	CHECKED	NAME	DATE	SIZE	DWG. NO.	REV
FINISH	ZINC PLATED	ENG APPR.	NL	8/16/18	A	am-3266-175	3
DO NOT SCALE DRAWING		MFG APPR.			SCALE: 8:1		SHEET 1 OF 1
		Q.A.					