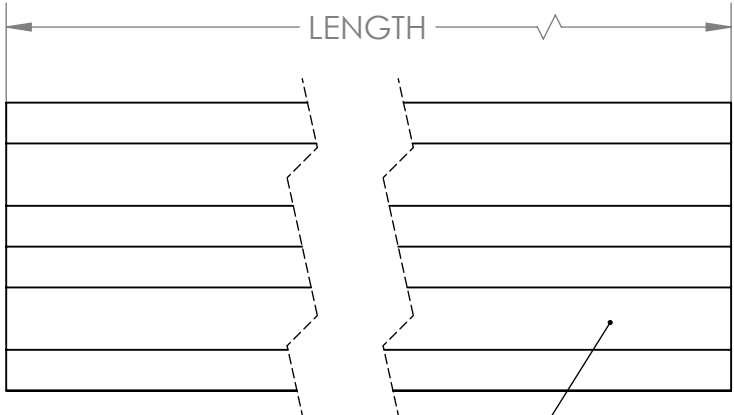
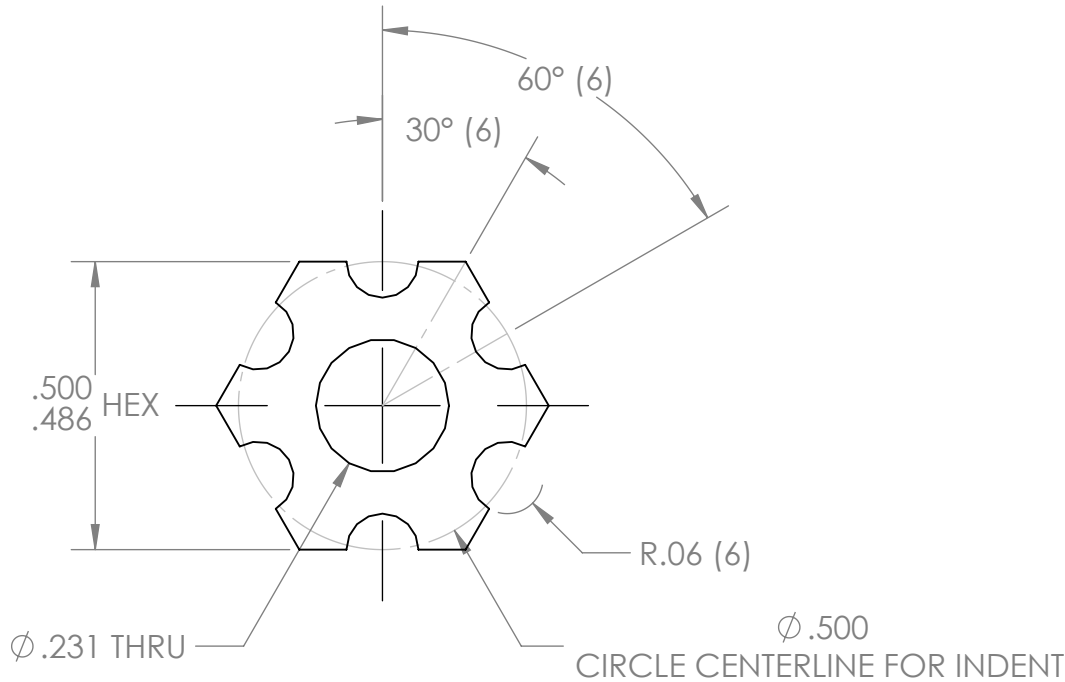



REVISION HISTORY			
REV.	DESCRIPTION	DATE	DRAWN BY
1	ORIGINAL PRINT	5/31/2018	N. LAWRENCE



SURFACE COLOR RAW ALUMINUM  
UNLESS OTHERWISE NOTED  
EXAMPLE: am-3101-3\_BLUE

\*\*\* SEE CAD FOR ADDITIONAL TOOLPATH INFO\*\*\*

UNLESS OTHERWISE SPECIFIED:		COMMENTS:				
<b>DIMENSIONS ARE IN INCHES</b>		DUAL DIMENSIONS ARE IN MILLIMETERS.				
TOLERANCES:		BREAK ALL SHARP EDGES.		TITLE:		
FRACTIONAL	±1/16			500IN CHURRO		
ANGULAR: MACH	±1°			LAYOUT		
ANGULAR: BEND	±5°					
ONE PLACE DECIMAL	±0.1			SIZE	DWG. NO.	REV
TWO PLACE DECIMAL	±0.01			<b>A</b>		<b>1</b>
THREE PLACE DECIMAL	±0.005					
FOUR PLACE DECIMAL	±0.0005			SCALE: 3:1		SHEET 1 OF 1
MATERIAL	6005A-T61 AL	CHECKED	NAME	DATE		
FINISH	DEBURRED	ENG APPR.				
DO NOT SCALE DRAWING		MFG APPR.				
		Q.A.				