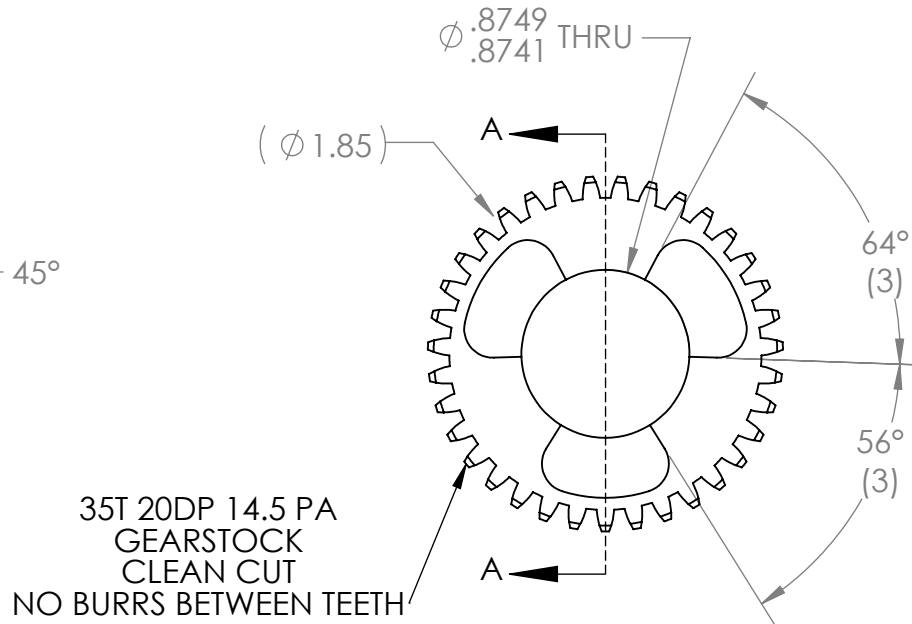
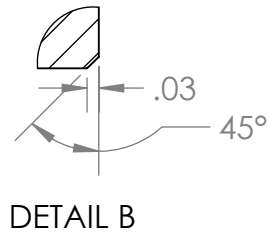
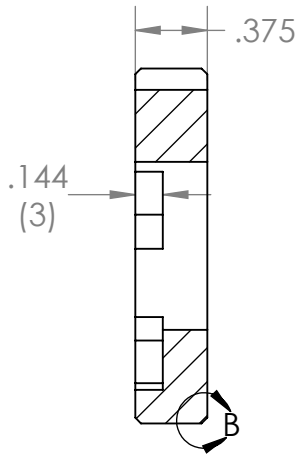


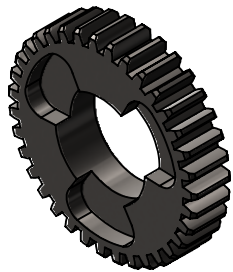
REVISION HISTORY			
REV.	DESCRIPTION	DATE	DRAWN BY
1	ORIGINAL PRINT	12/22/2015	D. BLAU
2	UPDATED TO AMDS-1	6/12/2018	A. MILLS




35T 20DP 14.5 PA
GEARSTOCK
CLEAN CUT
NO BURRS BETWEEN TEETH

SECTION A-A
SCALE 1 : 1

*** SEE CAD FOR ADDITIONAL TOOLPATH INFO***



UNLESS OTHERWISE SPECIFIED:		COMMENTS:					
DIMENSIONS ARE IN INCHES		DUAL DIMENSIONS ARE IN MILLIMETERS.					
TOLERANCES:		BREAK ALL SHARP EDGES		TITLE: 35T 20DP 14.5PA 875IN 3 TOOTH DOG GEAR			
FRACTIONAL	±1/16			SIZE	DWG. NO.	REV	
ANGULAR: MACH	±1°			A	am-0023	2	
ANGULAR: BEND	±5°			SCALE: 2:1		WEIGHT:	SHEET 1 OF 1
ONE PLACE DECIMAL	±0.1						
TWO PLACE DECIMAL	±0.01	MATERIAL					
THREE PLACE DECIMAL	±0.005	4140 STEEL					
FOUR PLACE DECIMAL	±0.0005	FINISH					
		ZINC PLATED					
DO NOT SCALE DRAWING		Q.A.					
		CHECKED					
		NL					
		DATE					
		6/15/2018					
		ENG APPR.					
		MFG APPR.					