

4

3

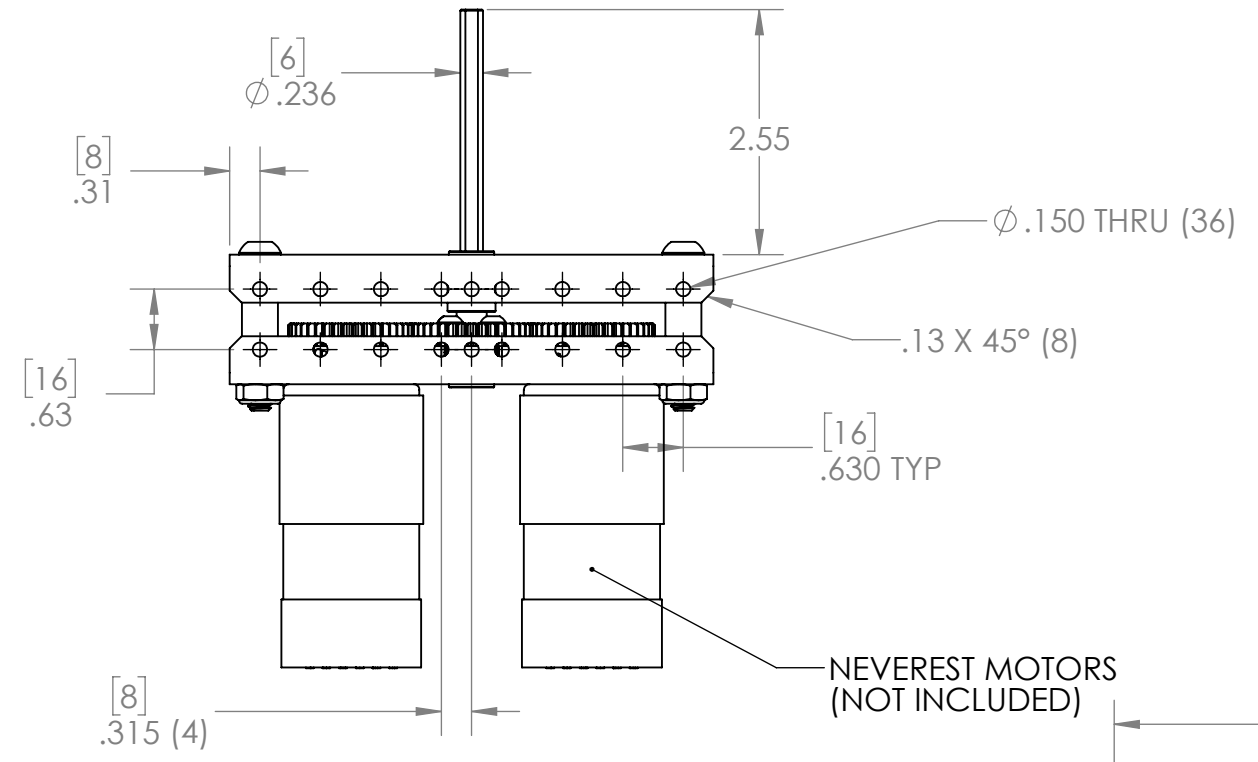
2

1

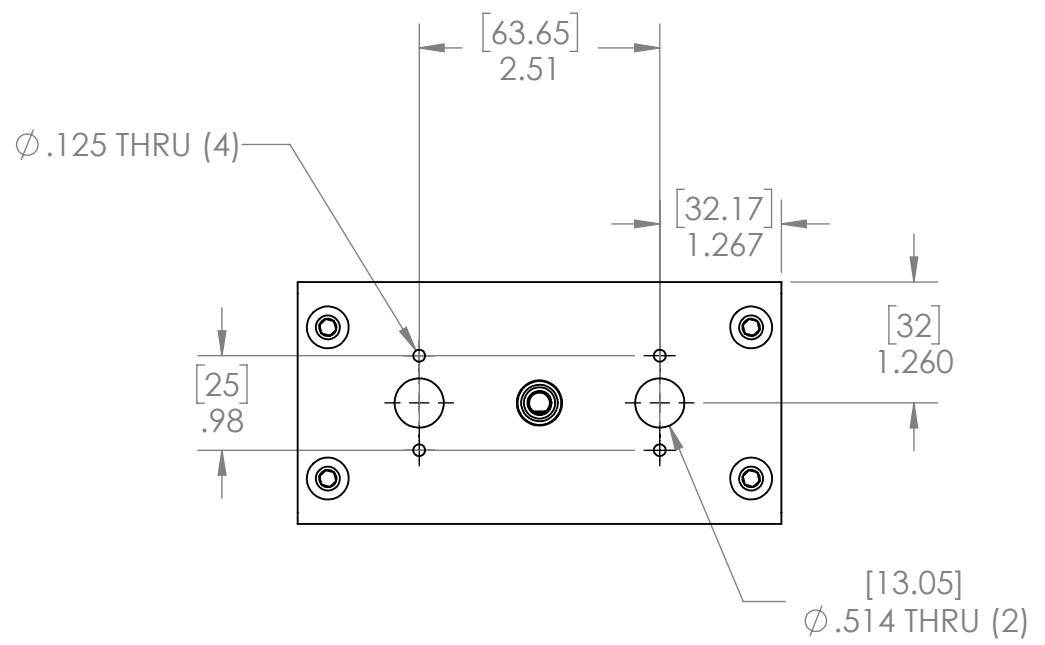
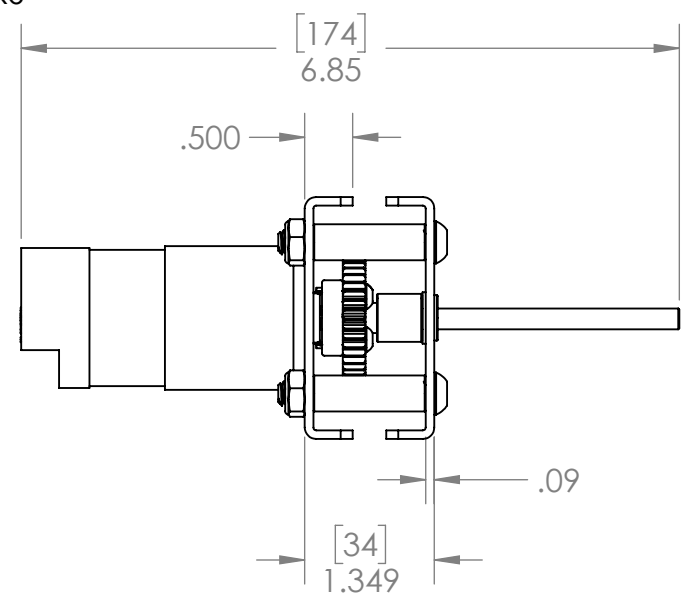
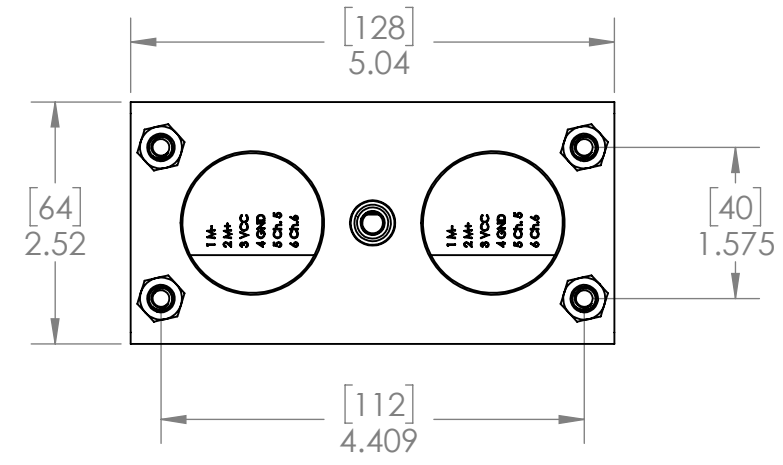
REVISION HISTORY			
REV.	DESCRIPTION	DATE	DRAWN BY
1	ORIGINAL PRINT	7/27/2017	J. ANG
2	DRAWN TO MEET AMDS-1	5/30/2018	B. HODSON

B

B

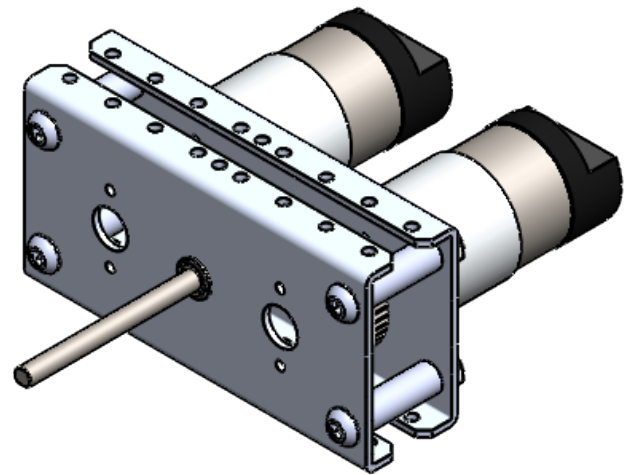


NEVEREST MOTORS
(NOT INCLUDED)



A

A



*** SEE CAD FOR ADDITIONAL TOOLPATH INFO***

UNLESS OTHERWISE SPECIFIED:		COMMENTS:		ANDYMARK		
DIMENSIONS ARE IN INCHES		DUAL DIMENSIONS ARE IN MILLIMETERS.		TITLE: PICOBOX TWIN TURBO		
TOLERANCES:		BREAK ALL SHARP EDGES.		SIZE	DWG. NO.	REV
FRACTIONAL	$\pm 1/16$			A	am-3450	2
ANGULAR: MACH	$\pm 1^\circ$			SCALE: 1:2 SHEET 1 OF 1		
ANGULAR: BEND	$\pm 5^\circ$					
ONE PLACE DECIMAL	± 0.1					
TWO PLACE DECIMAL	± 0.01					
THREE PLACE DECIMAL	± 0.005					
FOUR PLACE DECIMAL	± 0.0005					
MATERIAL		CHECKED	NAME	DATE		
		ENG APPR.	NL	6/12/18		
FINISH		MFG APPR.				
DO NOT SCALE DRAWING		Q.A.				

4

3

2

1