

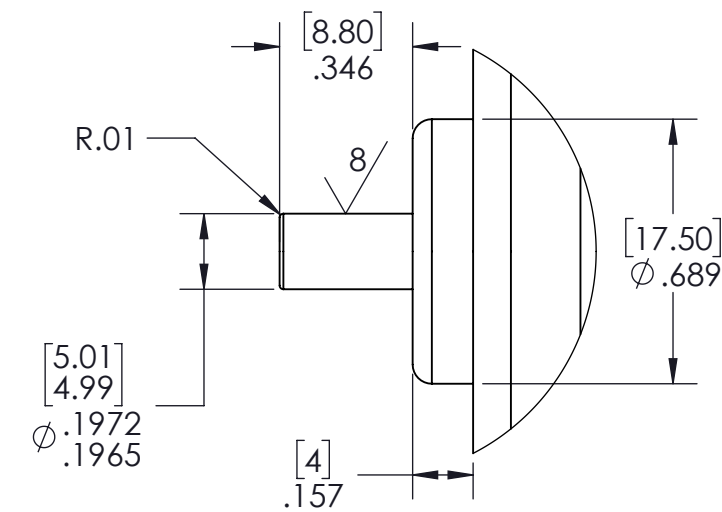
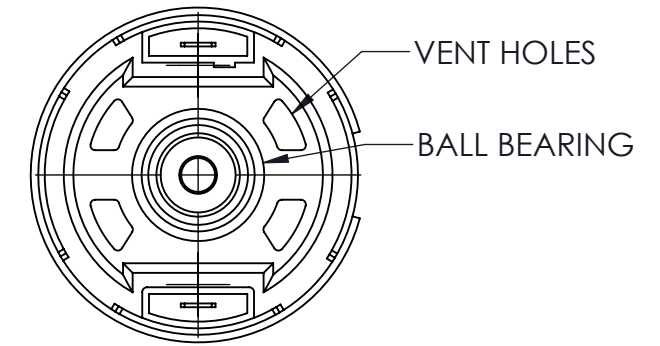
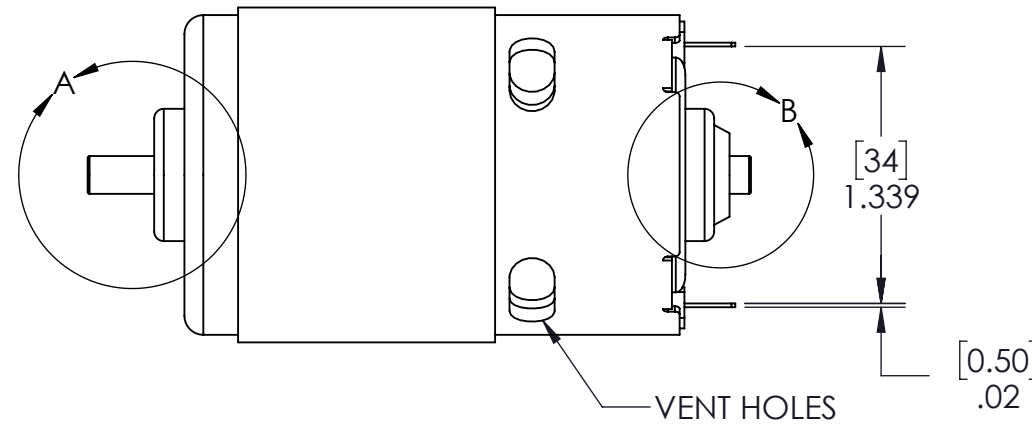
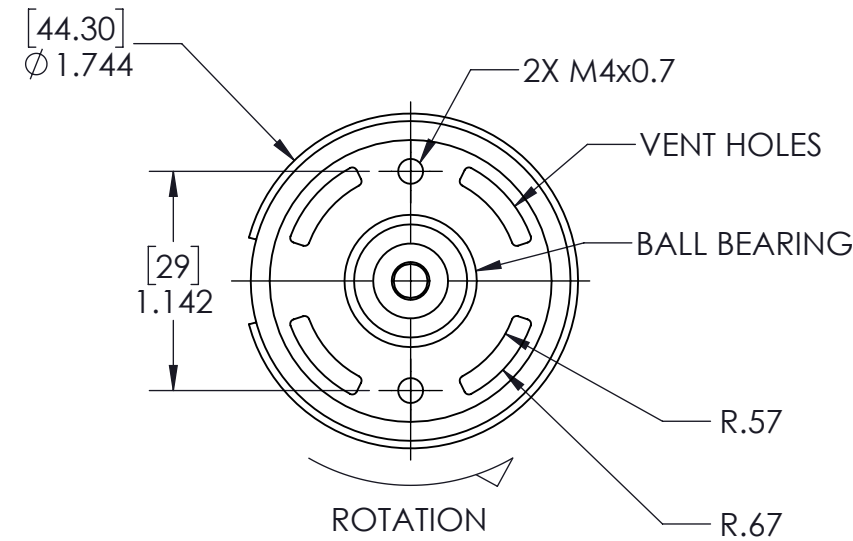
4

3

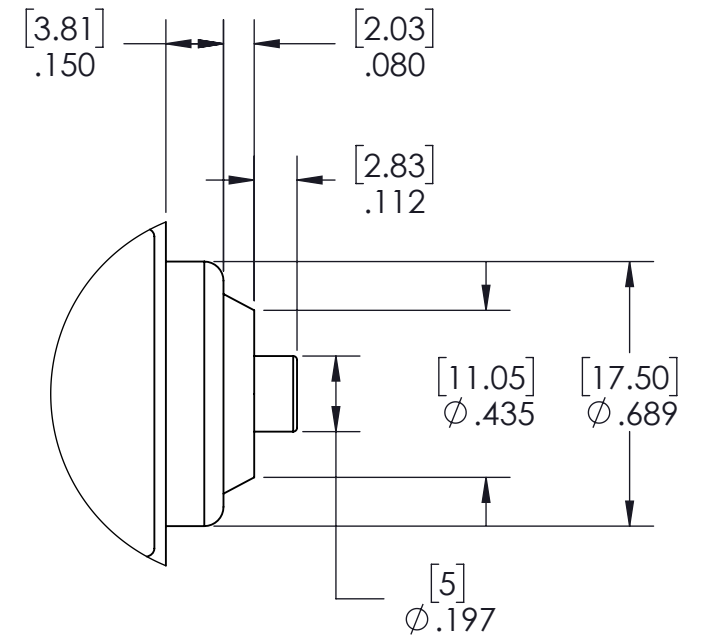
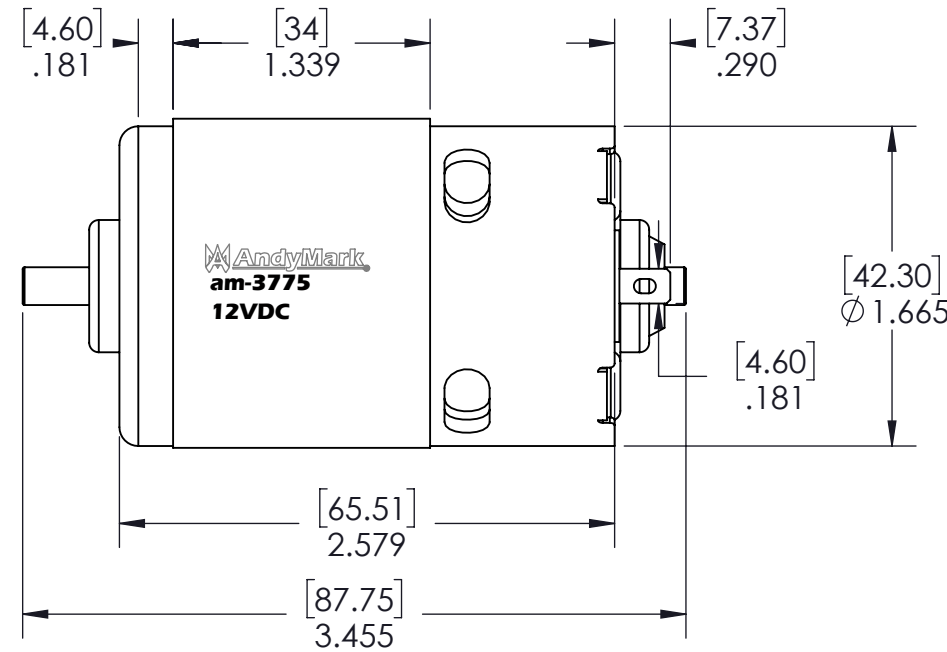
2

1

REVISION HISTORY			
REV.	DESCRIPTION	DATE	DRAWN BY
1	ORIGINAL PRINT	8/31/2017	N. LAWRENCE

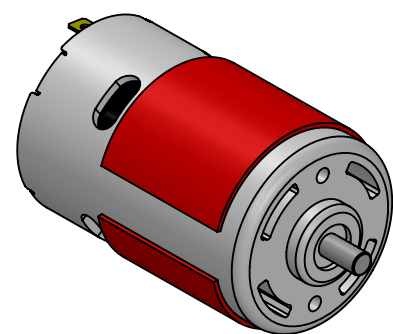


DETAIL A  
SCALE 2 : 1



DETAIL B  
SCALE 2 : 1

A



\*\*\* SEE CAD FOR ADDITIONAL TOOLPATH INFO\*\*\*

A

THEORETICAL PERFORMANCE SPECIFICATIONS	
NOMINAL VOLTAGE	12VDC
NO LOAD SPEED	19649 RPM
NO LOAD CURRENT	3.1 A
STALL TORQUE	0.627 N-m
STALL CURRENT	106.9 A
MAX POWER	322.6 W

UNLESS OTHERWISE SPECIFIED:		COMMENTS:
<b>DIMENSIONS ARE IN INCHES</b>		DUAL DIMENSIONS ARE IN MILLIMETERS.
TOLERANCES:		BREAK ALL SHARP EDGES.
FRACTIONAL	±1/16	
ANGULAR: MACH	±1°	
ANGULAR: BEND	±5°	
ONE PLACE DECIMAL	±0.1	
TWO PLACE DECIMAL	±0.01	
THREE PLACE DECIMAL	±0.005	
FOUR PLACE DECIMAL	±0.0005	
MATERIAL	MOTOR	
FINISH	RED POWDERCOAT FLUX RING SILVER ZINC PLATED BODY	
DO NOT SCALE DRAWING		

CHECKED	NAME	DATE
ENG APPR.		
MFG APPR.		
Q.A.		



TITLE:		
ANDYMARK 775 REDLINE MOTOR		
SIZE	DWG. NO.	REV
<b>A</b>	<b>am-3775</b>	<b>1</b>
SCALE: 1:1	SHEET 1 OF 1	

4

3

2

1