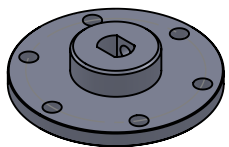
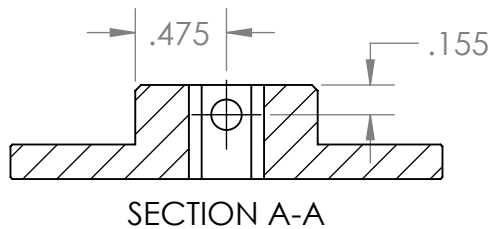
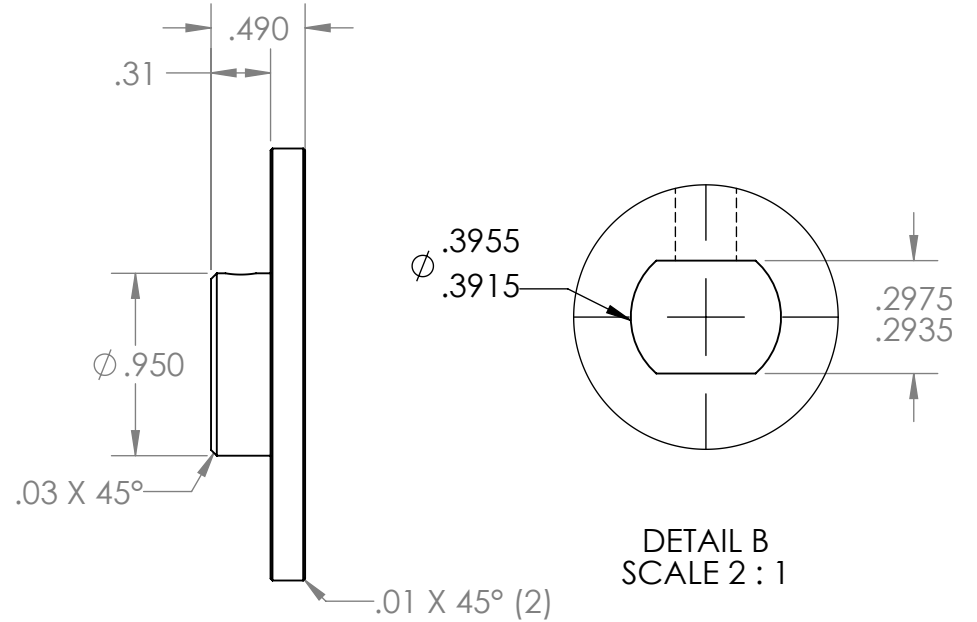
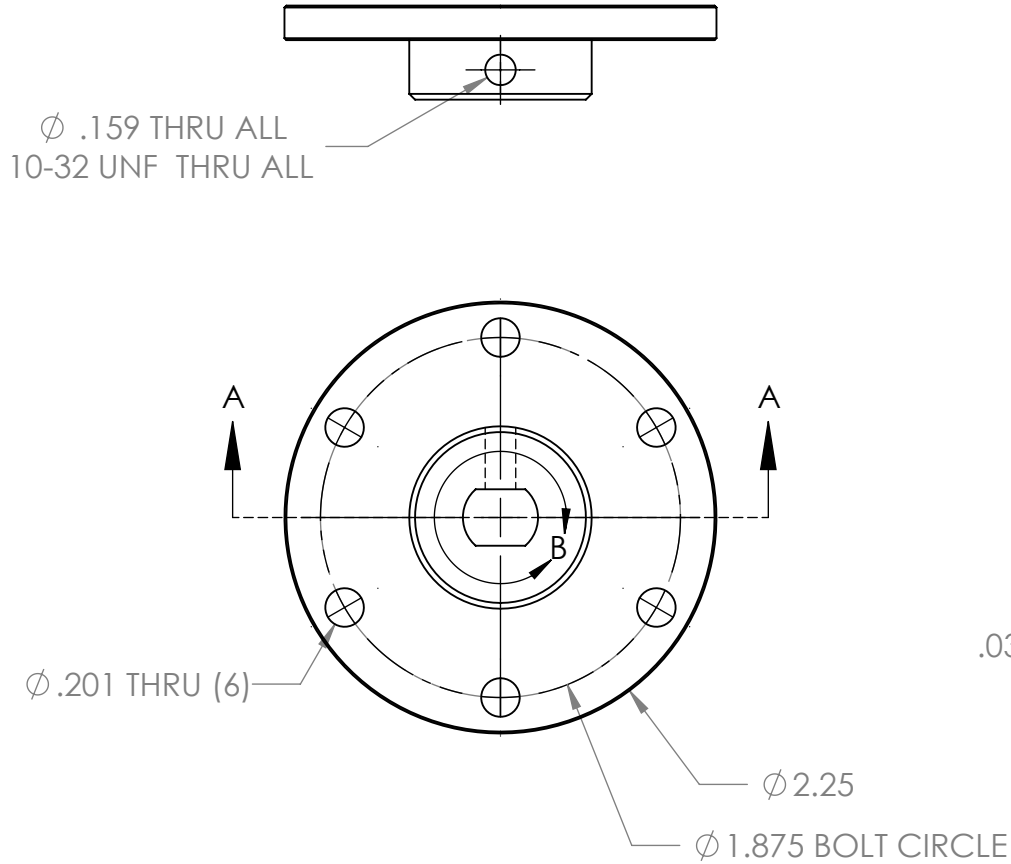


REVISION HISTORY			
REV.	DESCRIPTION	DATE	DRAWN BY
1	ORIGINAL PRINT	9/21/2012	PK
2	UPDATED TO MEET AMDS-1	8/8/2018	A. BIRKEN



*** SEE CAD FOR ADDITIONAL TOOLPATH INFO***

UNLESS OTHERWISE SPECIFIED:		COMMENTS:			
DIMENSIONS ARE IN INCHES		DUAL DIMENSIONS ARE IN MILLIMETERS.			
TOLERANCES:		BREAK ALL SHARP EDGES		TITLE:	
FRACTIONAL	±1/16			10mm DD HUB	
ANGULAR: MACH	±1°			SIZE	
ANGULAR: BEND	±5°			DWG. NO.	
ONE PLACE DECIMAL	±0.1			am-2279	
TWO PLACE DECIMAL	±0.01			REV	
THREE PLACE DECIMAL	±0.005			2	
FOUR PLACE DECIMAL	±0.0005			SCALE: 1:1	
MATERIAL	6061-T6 AL	NAME	DATE	WEIGHT:	
FINISH	TUMBLER	CHECKED	NL 11/15/18	SHEET 1 OF 1	
DO NOT SCALE DRAWING		ENG APPR.			
		MFG APPR.			
		Q.A.			