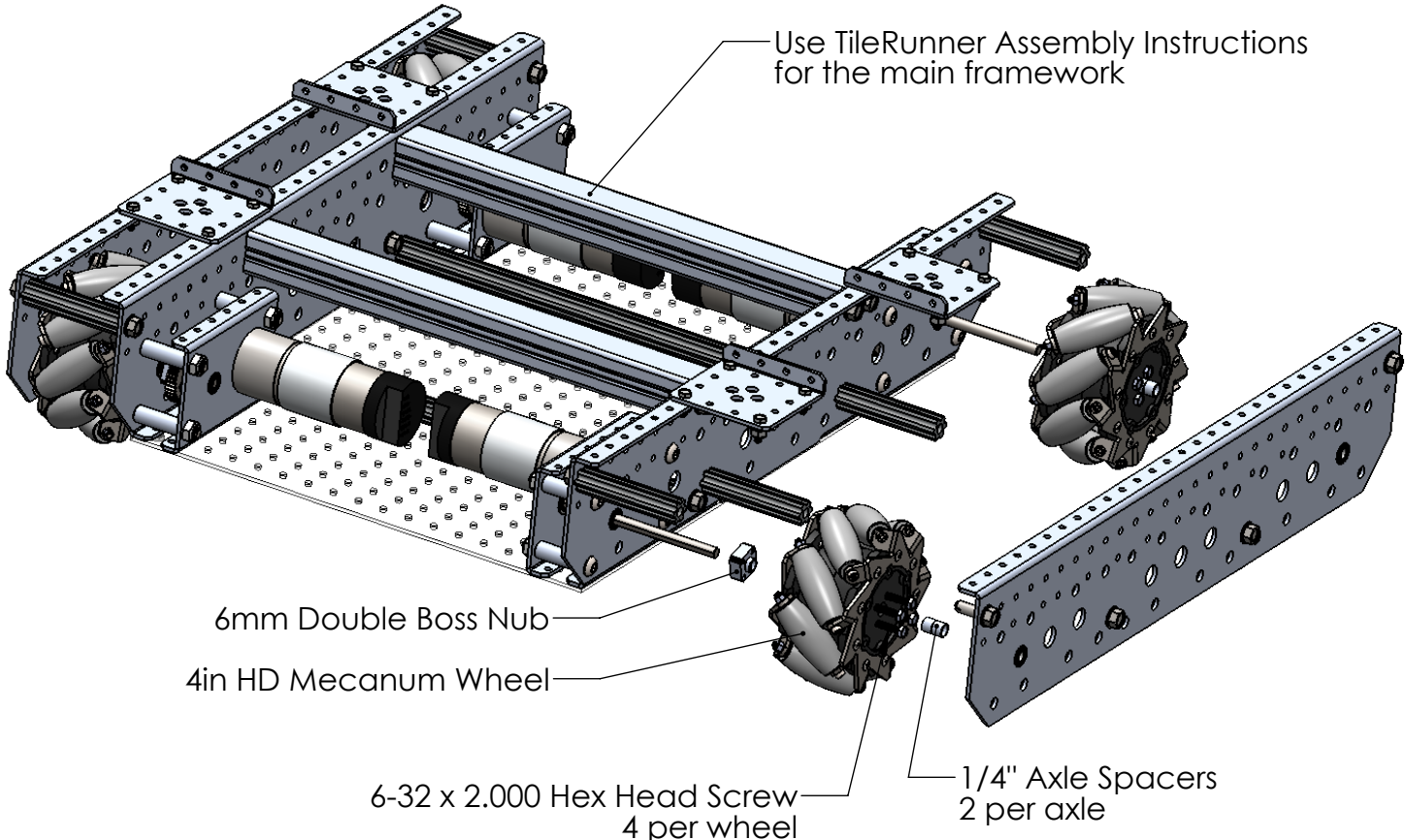



REVISION HISTORY			
REV.	DESCRIPTION	DATE	DRAWN BY
1	ORIGINAL PRINT	9/8/2018	DANNY B



\*\*\* SEE CAD FOR ADDITIONAL TOOLPATH INFO\*\*\*

UNLESS OTHERWISE SPECIFIED:		COMMENTS:				
<b>DIMENSIONS ARE IN INCHES</b>		DUAL DIMENSIONS ARE IN MILLIMETERS.				
TOLERANCES:		BREAK ALL SHARP EDGES.		TITLE: TileRunner HD Mecanum Exploded View		
FRACTIONAL	±1/16			SIZE	DWG. NO.	REV
ANGULAR: MACH	±1°			<b>A</b>	am-3437_HDmec	1
ANGULAR: BEND	±5°					
ONE PLACE DECIMAL	±0.1			SCALE: 1:4		
TWO PLACE DECIMAL	±0.01			SHEET 1 OF 1		
THREE PLACE DECIMAL	±0.005					
FOUR PLACE DECIMAL	±0.0005					
MATERIAL		CHECKED	NAME	DATE		
FINISH		ENG APPR.				
		MFG APPR.				
		Q.A.				
DO NOT SCALE DRAWING						