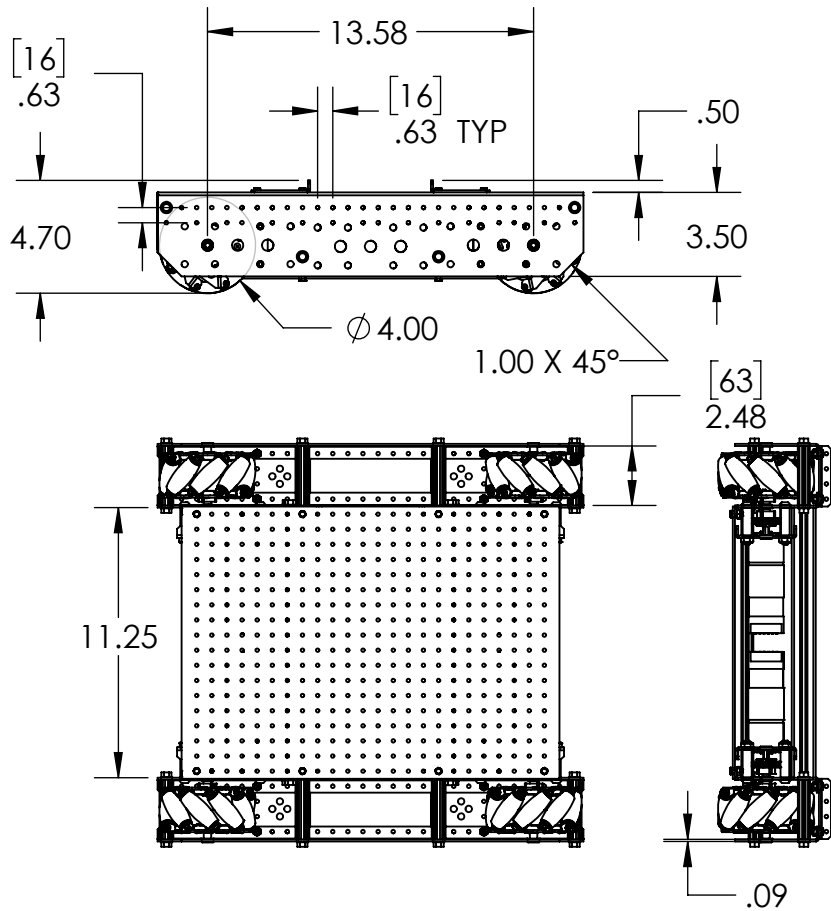
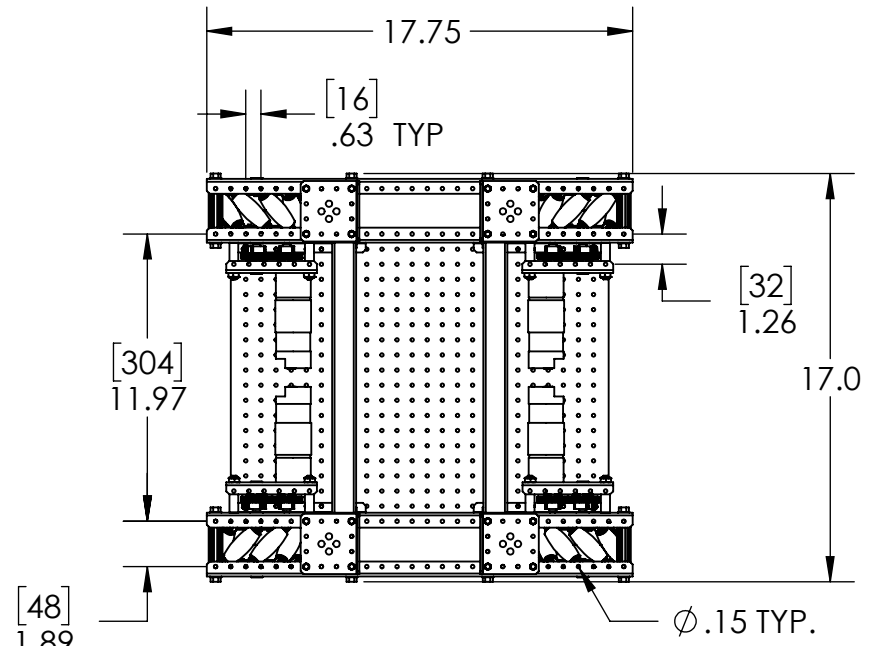


REVISION HISTORY			
REV.	DESCRIPTION	DATE	DRAWN BY
1	ORIGINAL PRINT	9/5/2018	D BLAU

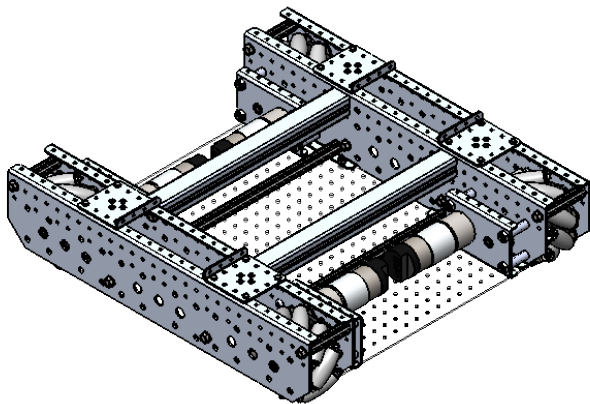



BOTTOM VIEW
DIAMOND ORIENTATION OF ROLLERS



TOP VIEW
"X" ORIENTATION OF ROLLERS

*** SEE CAD FOR ADDITIONAL TOOLPATH INFO***



UNLESS OTHERWISE SPECIFIED:		COMMENTS:					
DIMENSIONS ARE IN INCHES		DUAL DIMENSIONS ARE IN MILLIMETERS.					TITLE:
TOLERANCES: FRACTIONAL ±1/16 ANGULAR: MACH ±1° ANGULAR: BEND ±5° ONE PLACE DECIMAL ±0.1 TWO PLACE DECIMAL ±0.01 THREE PLACE DECIMAL ±0.005 FOUR PLACE DECIMAL ±0.0005		BREAK ALL SHARP EDGES.		TILERUNNER HD MECANUM			
MATERIAL		CHECKED	NAME	DATE	SIZE	DWG. NO.	REV
FINISH		ENG APPR.			A	am-3437_HDmec	1
DO NOT SCALE DRAWING		MFG APPR.			SCALE: 1:8		SHEET 1 OF 1
		Q.A.					