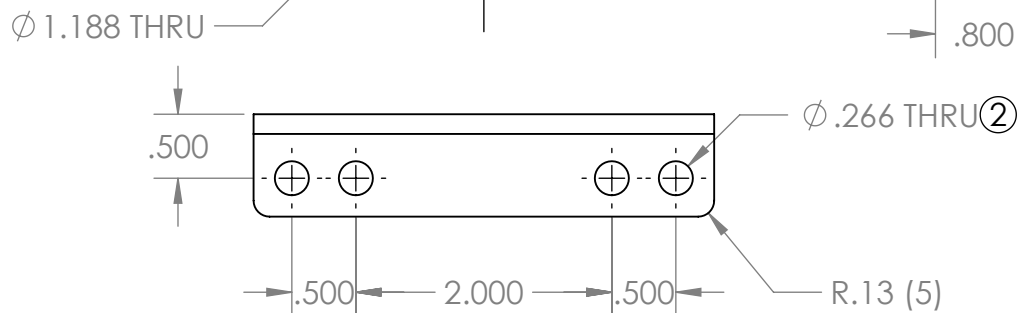
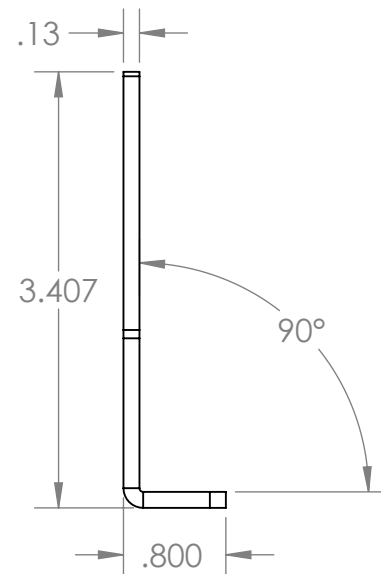
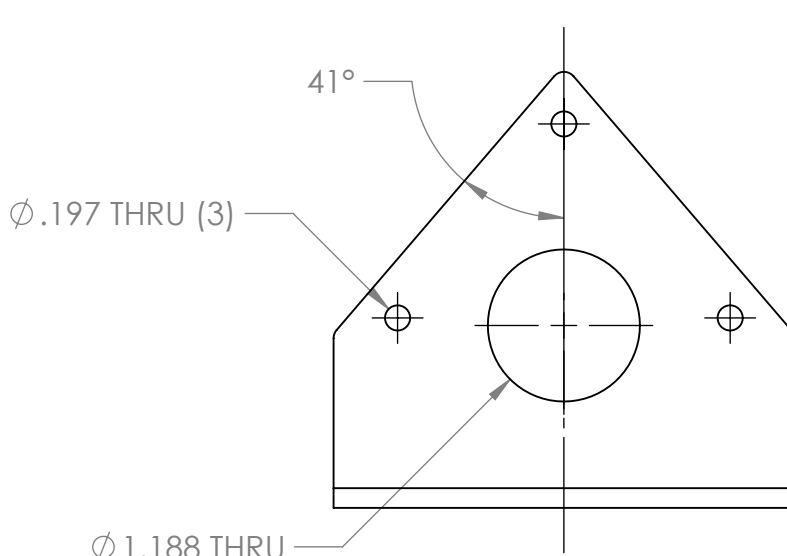
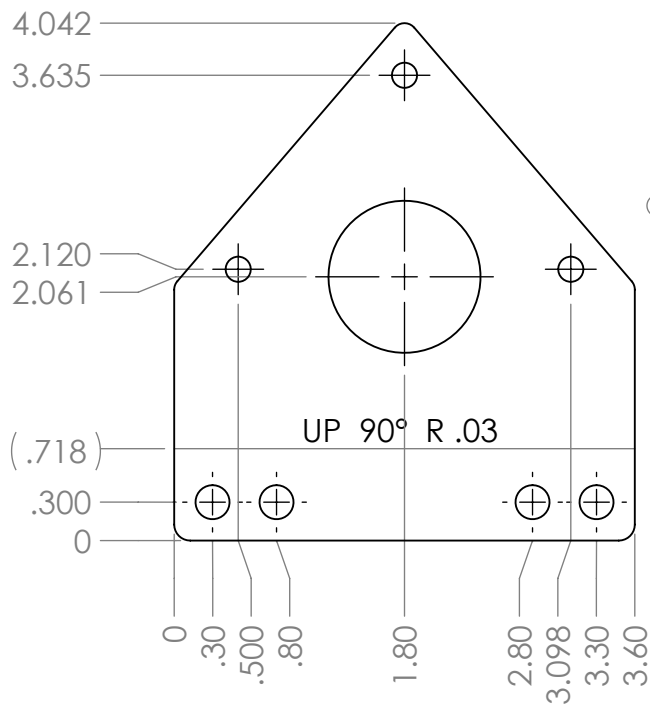
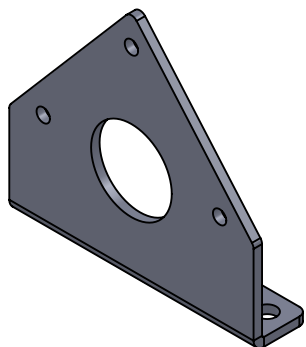


REVISION HISTORY			
REV.	DESCRIPTION	DATE	DRAWN BY
1	ORIGINAL PRINT	11/20/2012	PK
2	REDRAWN TO AMDS-1, INCREASED HOLE SIZE	11/15/2018	N. LAWRENCE



*** SEE CAD FOR ADDITIONAL TOOLPATH INFO***



UNLESS OTHERWISE SPECIFIED:		COMMENTS:				
DIMENSIONS ARE IN INCHES		DUAL DIMENSIONS ARE IN MILLIMETERS.				
TOLERANCES: FRACTIONAL ±1/16 ANGULAR: MACH ±1° ANGULAR: BEND ±5° ONE PLACE DECIMAL ±0.1 TWO PLACE DECIMAL ±0.01 THREE PLACE DECIMAL ±0.005 FOUR PLACE DECIMAL ±0.0005		BREAK ALL SHARP EDGES.		SNOW BLOWER MOTOR MOUNT		
MATERIAL	5052 AL	CHECKED	NAME	DATE	SIZE	REV
FINISH	TUMBLED	ENG APPR.			DWG. NO.	
DO NOT SCALE DRAWING		MFG APPR.			A	2
		Q.A.			SCALE: 1:1.5	SHEET 1 OF 1