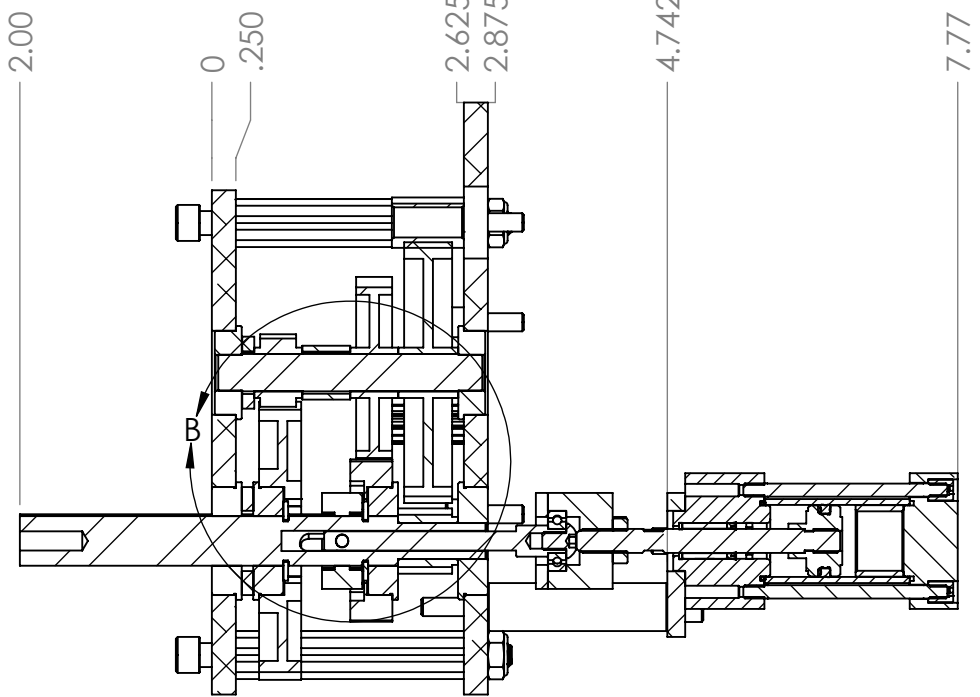
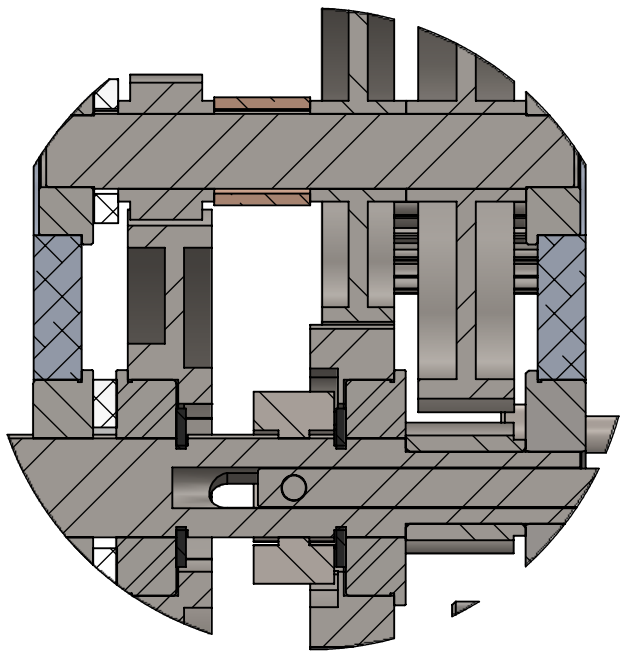
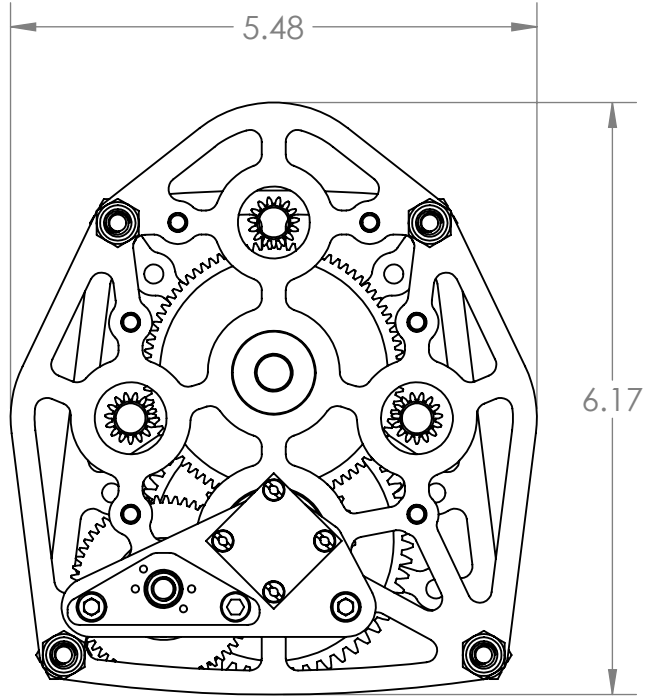


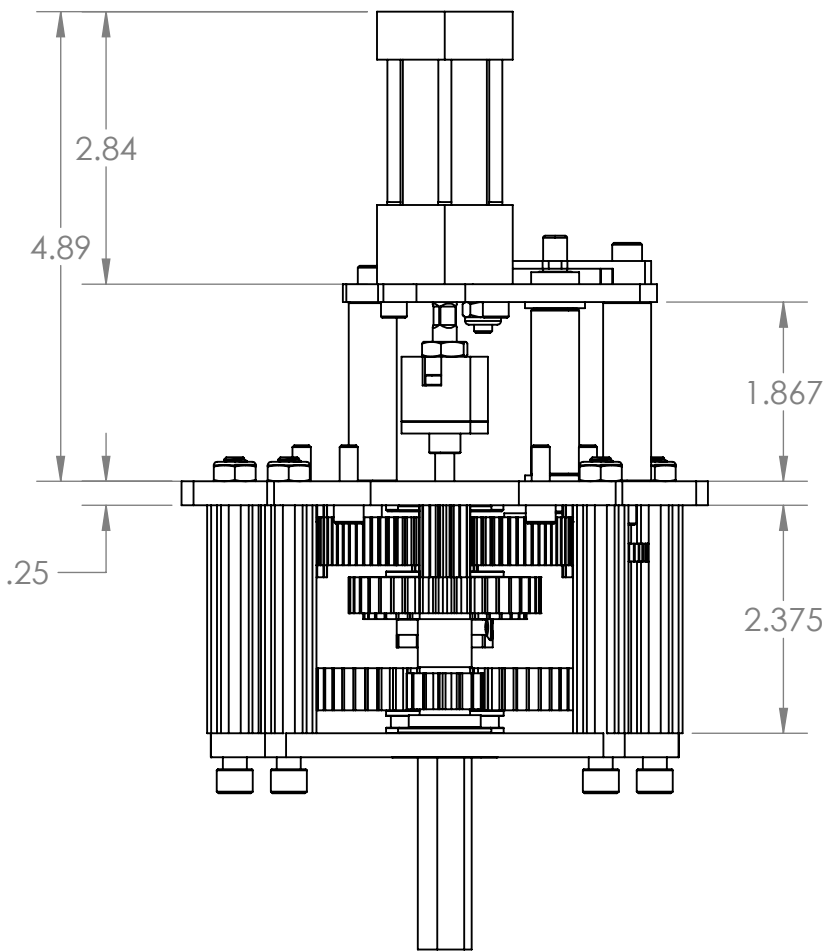
0
.554
1.054
1.116
1.491
2.741
3.991
4.366
4.429
4.929
5.48



SECTION A-A



DETAIL B
SCALE 1:1



UNLESS OTHERWISE SPECIFIED:		NAME	DATE
DIMENSIONS ARE IN INCHES		DRAWN	NL 1/5/17
TOLERANCES:		CHECKED	
FRACTIONAL ± 1/32		ENG APPR.	
ANGULAR: MACH ±		MFG APPR.	
ONE PLACE DECIMAL ± 0.1		Q.A.	
TWO PLACE DECIMAL ± 0.01		COMMENTS:	
THREE PLACE DECIMAL ± 0.005			
INTERPRET GEOMETRIC TOLERANCING PER:			
MATERIAL			
FINISH			
DO NOT SCALE DRAWING			

TITLE:		
2 STAGE 3 MOTOR EVO SHIFTER		
SIZE	DWG. NO.	REV
B		1
SCALE: 1:2	WEIGHT:	SHEET 1 OF 1