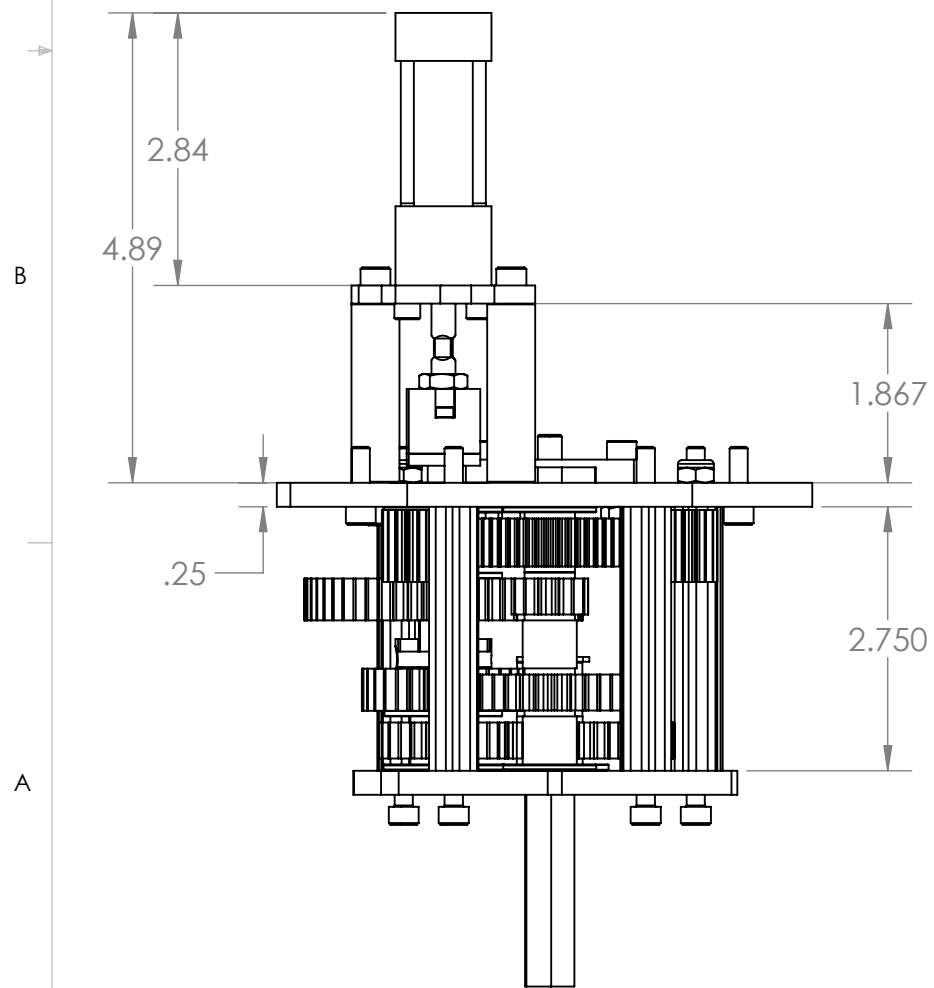
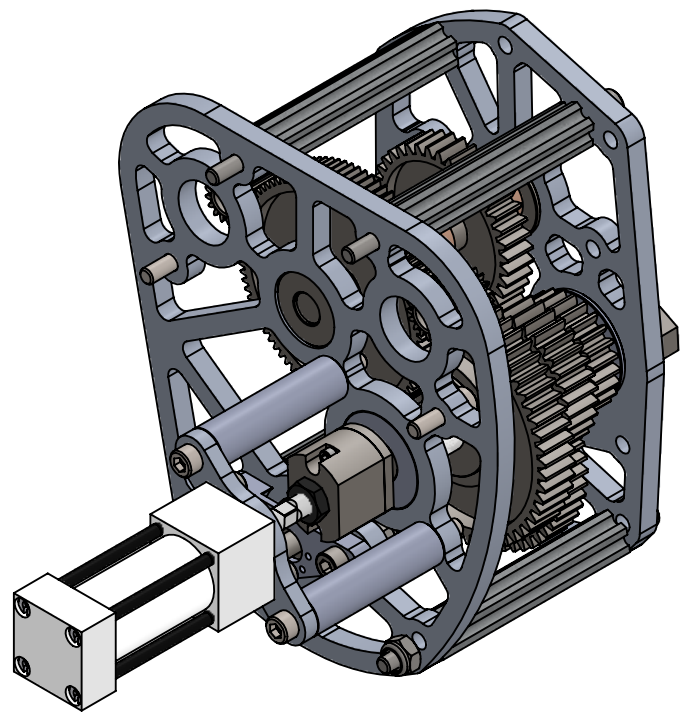



SECTION A-A



SECTION B-B



UNLESS OTHERWISE SPECIFIED:		NAME	DATE	
DIMENSIONS ARE IN INCHES		DRAWN	NL	
TOLERANCES:		CHECKED		TITLE:
FRACTIONAL ± 1/32		ENG APPR.		3 STAGE 2 MOTOR
ANGULAR: MACH ± BEND ± 5°		MFG APPR.		EVO SHIFTER
ONE PLACE DECIMAL ± 0.1		Q.A.		SIZE DWG. NO. REV
TWO PLACE DECIMAL ± 0.01		COMMENTS:		B
THREE PLACE DECIMAL ± 0.005				SCALE: 1:2 WEIGHT: SHEET 1 OF 1
INTERPRET GEOMETRIC TOLERANCING PER:				
MATERIAL				
FINISH				
DO NOT SCALE DRAWING				