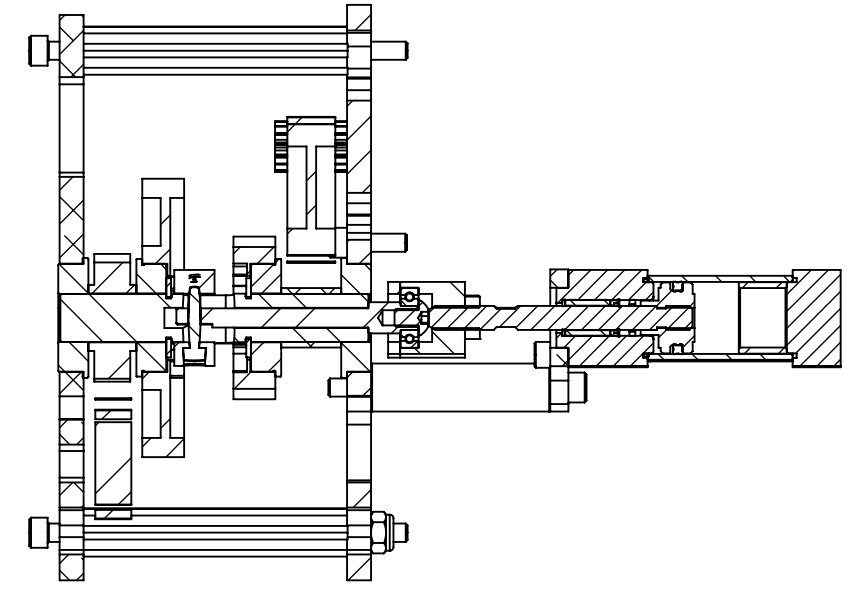
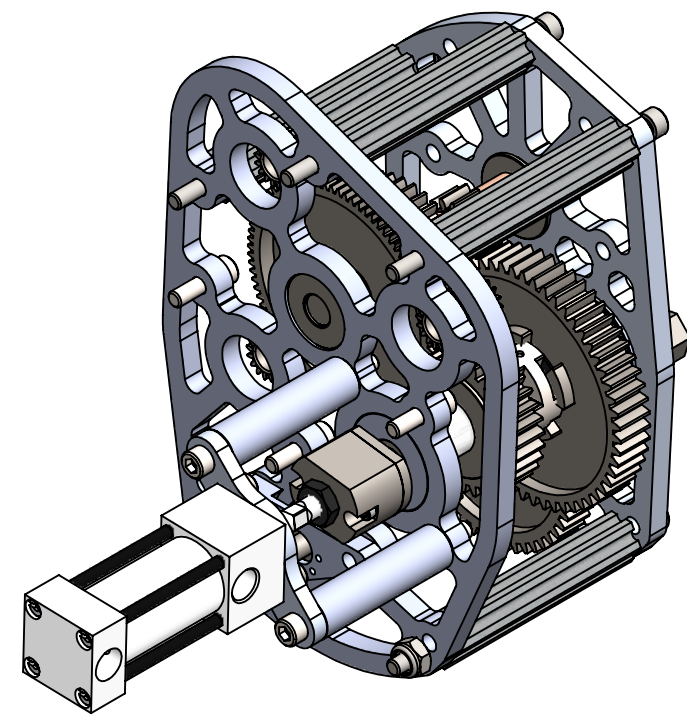


SECTION A-A



SECTION B-B

UNLESS OTHERWISE SPECIFIED:		NAME	DATE	
DIMENSIONS ARE IN INCHES		DRAWN	NL	
TOLERANCES:		CHECKED		TITLE:
FRACTIONAL $\pm 1/32$		ENG APPR.		3 STAGE 3 MOTOR EVO SHIFTER
ANGULAR: MACH $\pm$ BEND $\pm 5^\circ$		MFG APPR.		
ONE PLACE DECIMAL $\pm 0.1$		Q.A.		SIZE DWG. NO. REV
TWO PLACE DECIMAL $\pm 0.01$		COMMENTS:		<b>B</b>
THREE PLACE DECIMAL $\pm 0.005$				SCALE: 1:2 WEIGHT: SHEET 1 OF 1
INTERPRET GEOMETRIC TOLERANCING PER:				
MATERIAL				
FINISH				
DO NOT SCALE DRAWING				