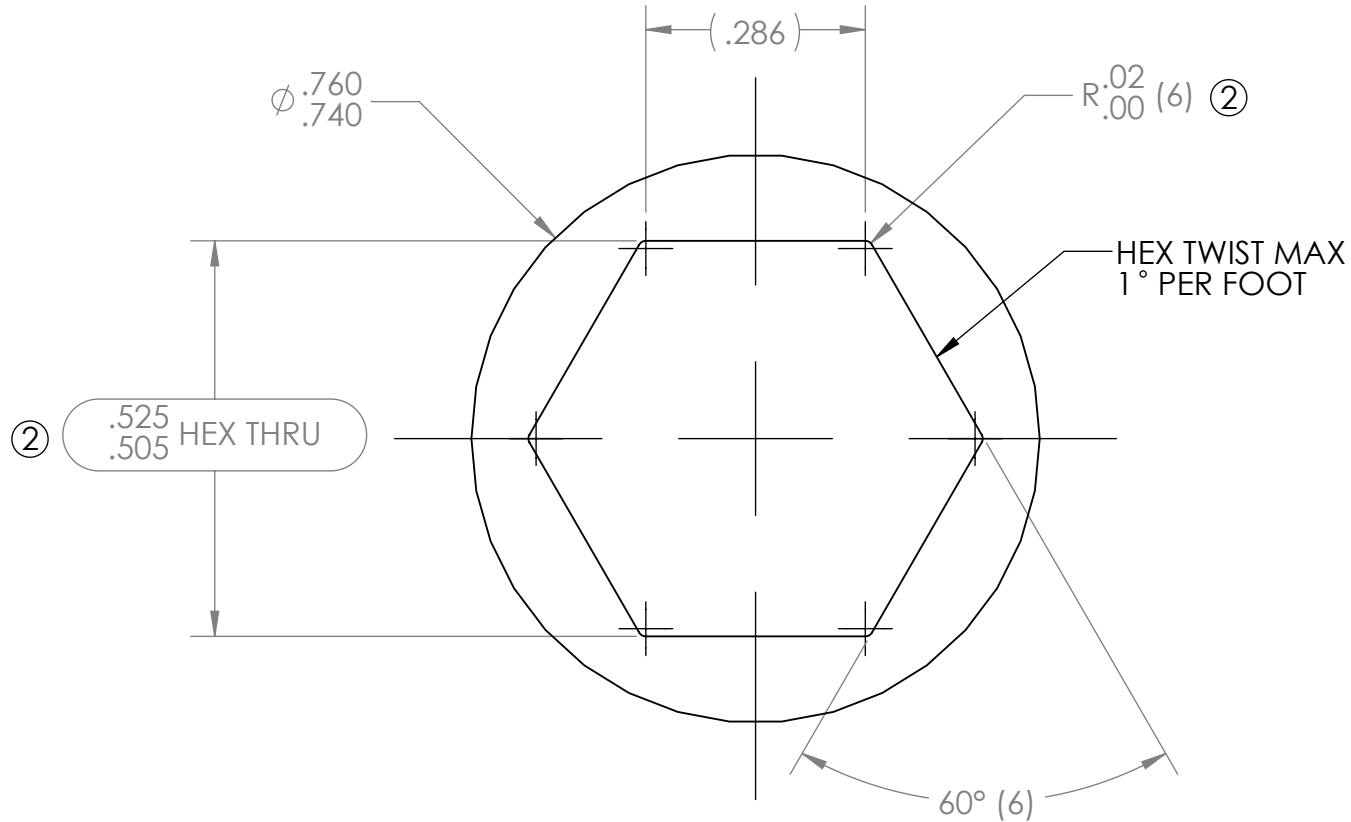
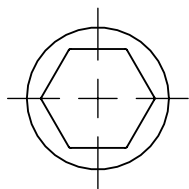



REVISION HISTORY			
REV.	DESCRIPTION	DATE	DRAWN BY
1	ORIGINAL PRINT	6/14/2018	N. LAWRENCE
2	UPDATED FEATURE TOLERANCES	7/17/2018	N. LAWRENCE



*** SEE CAD FOR ADDITIONAL TOOLPATH INFO***



ACTUAL SIZE

UNLESS OTHERWISE SPECIFIED:		COMMENTS:				
DIMENSIONS ARE IN INCHES		DUAL DIMENSIONS ARE IN MILLIMETERS.				
TOLERANCES:		BREAK ALL SHARP EDGES.		TITLE:		
FRACTIONAL	$\pm 1/16$			SIZE	DWG. NO.	REV
ANGULAR: MACH	$\pm 1^\circ$			A	ex-3896	2
ANGULAR: BEND	$\pm 5^\circ$					
ONE PLACE DECIMAL	± 0.1			SCALE: 4:1		
TWO PLACE DECIMAL	± 0.01			SHEET 1 OF 1		
THREE PLACE DECIMAL	± 0.005					
FOUR PLACE DECIMAL	± 0.0005					
MATERIAL	6005A-T61 AL	CHECKED	NAME	DATE		
FINISH	NATURAL MILL	ENG APPR.	NM	6/14/18		
DO NOT SCALE DRAWING		MFG APPR.				
		Q.A.				