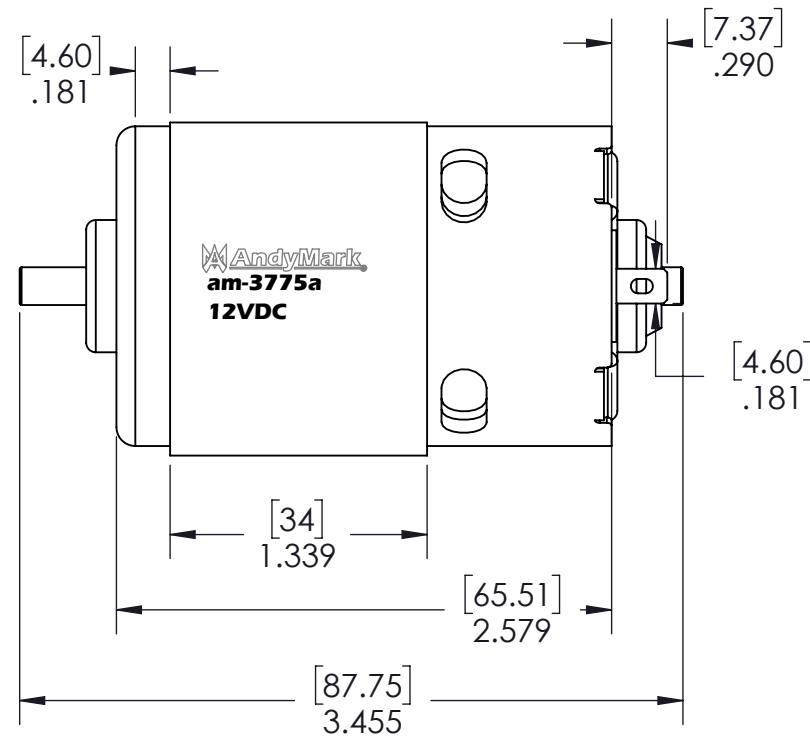
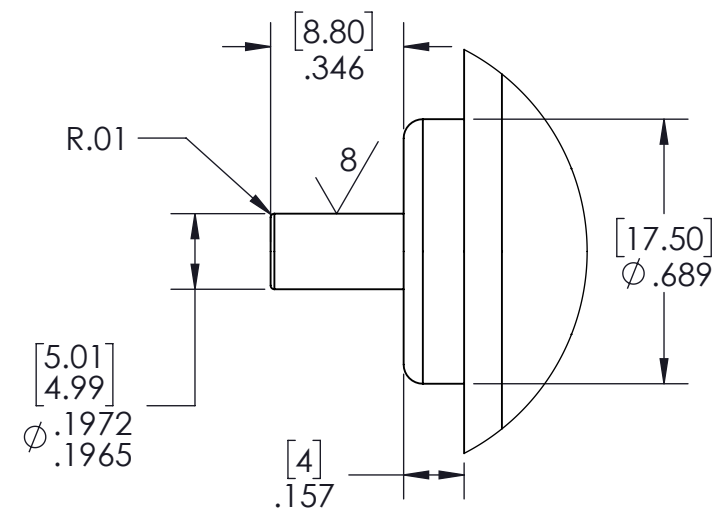
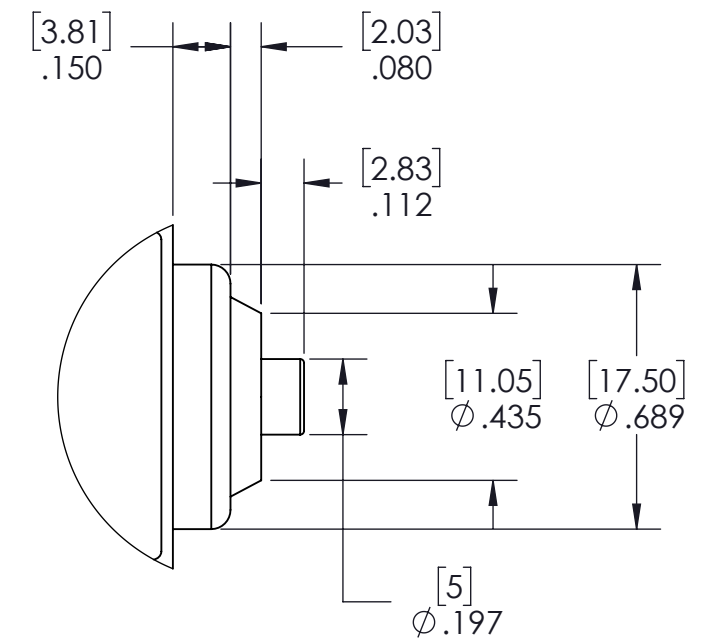
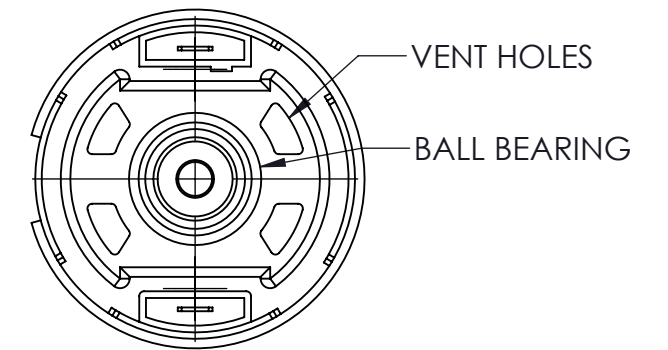
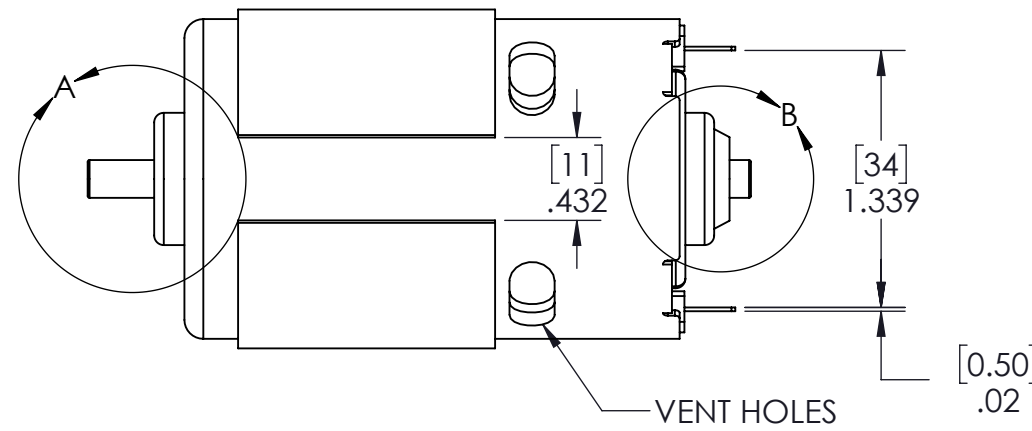
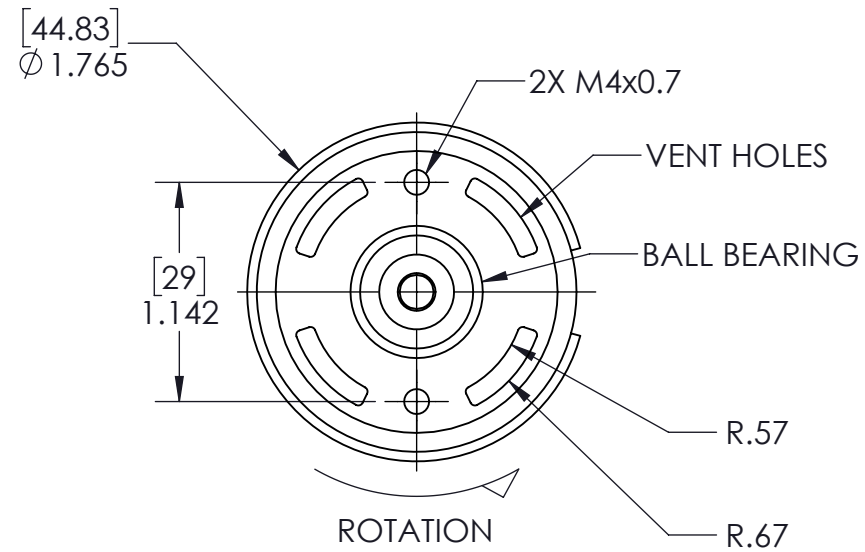
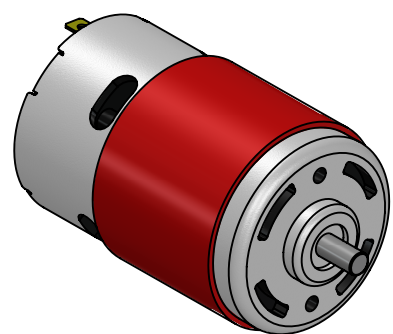


REVISION HISTORY			
REV.	DESCRIPTION	DATE	DRAWN BY
1	ORIGINAL PRINT	12/6/2018	N. LAWRENCE



*** SEE CAD FOR ADDITIONAL TOOLPATH INFO***



THEORETICAL PERFORMANCE SPECIFICATIONS	
NOMINAL VOLTAGE	12VDC
NO LOAD SPEED	21020 RPM
NO LOAD CURRENT	3.8 A
STALL TORQUE	0.7N-m
STALL CURRENT	130.12 A
MAX POWER	382.2 W

UNLESS OTHERWISE SPECIFIED:	
DIMENSIONS ARE IN INCHES	
TOLERANCES:	
FRACTIONAL	±1/16
ANGULAR: MACH	±1°
ANGULAR: BEND	±5°
ONE PLACE DECIMAL	±0.1
TWO PLACE DECIMAL	±0.01
THREE PLACE DECIMAL	±0.005
FOUR PLACE DECIMAL	±0.0005
MATERIAL	MOTOR
FINISH	RED POWDERCOAT FLUX RING SILVER ZINC PLATED BODY
DO NOT SCALE DRAWING	

COMMENTS:	
DUAL DIMENSIONS ARE IN MILLIMETERS.	
BREAK ALL SHARP EDGES.	
CHECKED	NAME
ENG APPR.	DATE
MFG APPR.	
Q.A.	

TITLE:			
ANDYMARK 775a REDLINE MOTOR			
SIZE	DWG. NO.	REV	
A	am-3775a	1	
SCALE: 1:1		SHEET 1 OF 1	

4

3

2

1

B

B

A

A