

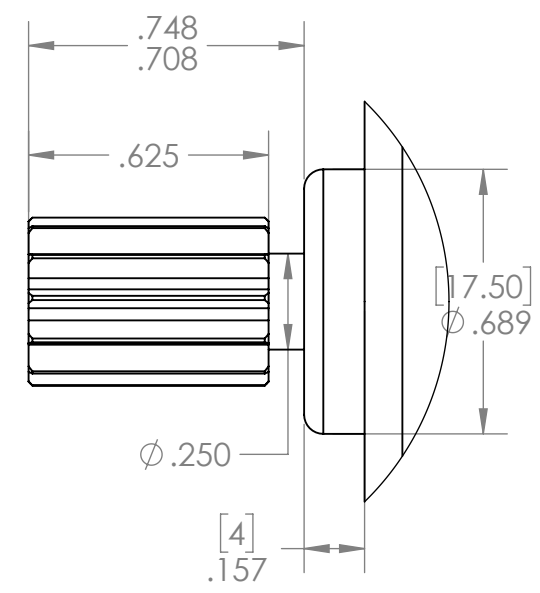
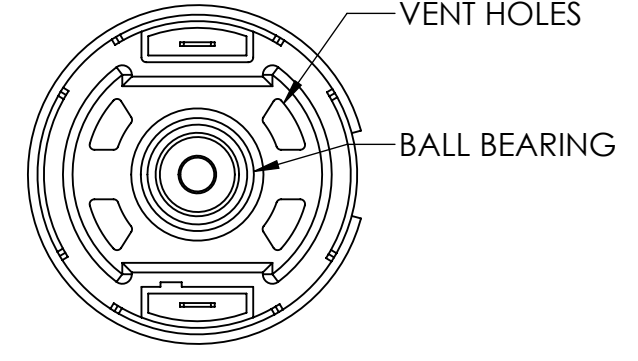
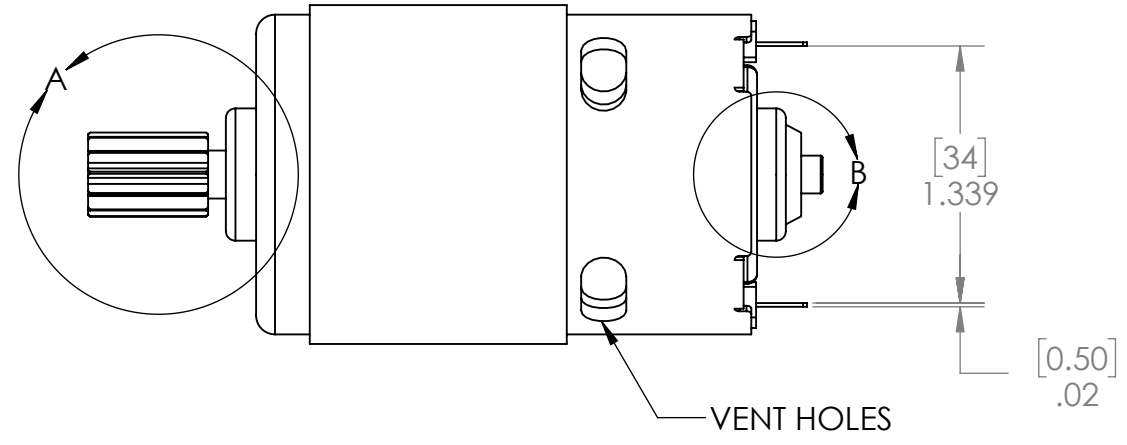
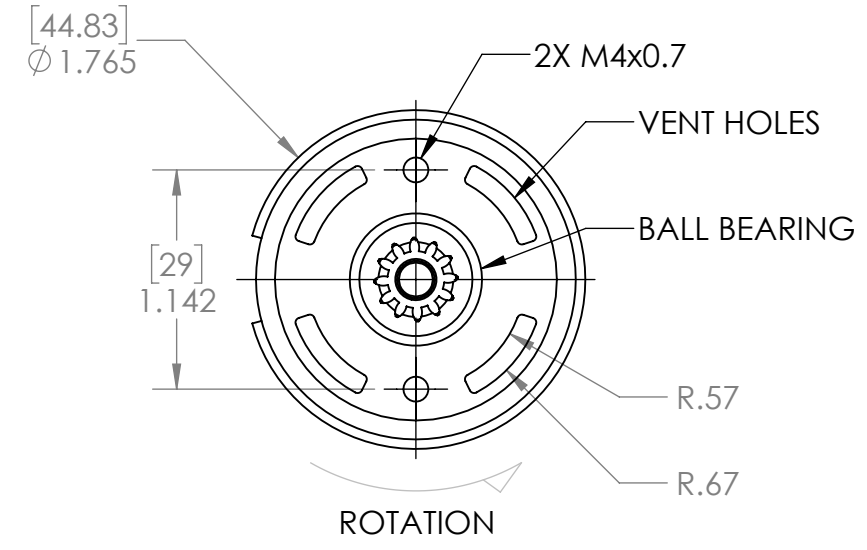
4

3

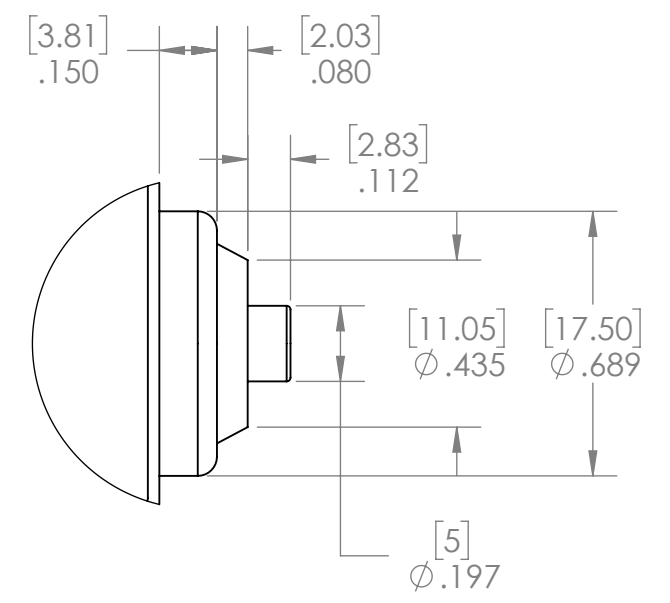
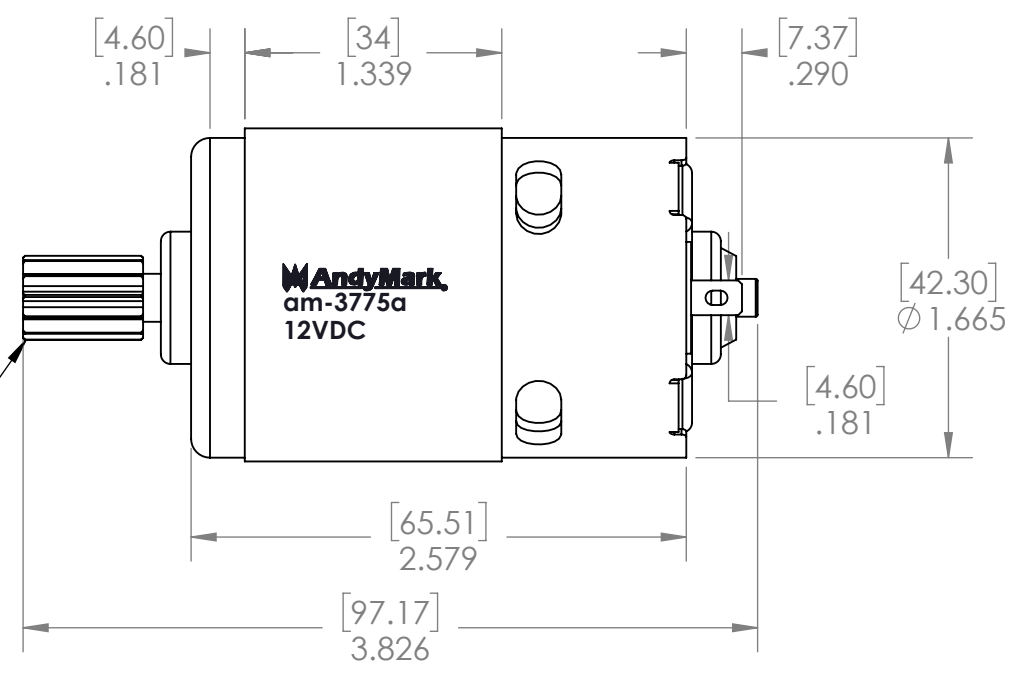
2

1

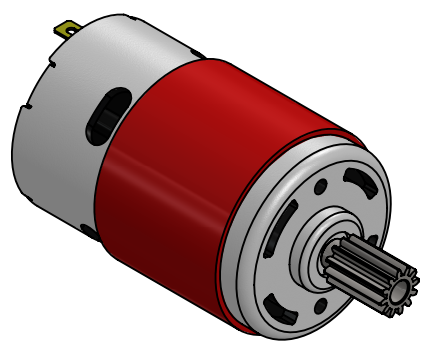
REVISION HISTORY			
REV.	DESCRIPTION	DATE	DRAWN BY
1	ORIGINAL PRINT	12/6/2018	N. LAWRENCE



am-3657
 12T 32DP 20°P.A.
 1117 STEEL GEAR



*** SEE CAD FOR ADDITIONAL TOOLPATH INFO***



UNLESS OTHERWISE SPECIFIED:		COMMENTS:			
DIMENSIONS ARE IN INCHES		DUAL DIMENSIONS ARE IN MILLIMETERS.			
TOLERANCES:		BREAK ALL SHARP EDGES.		TITLE: ANDYMARK	
FRACTIONAL	\pm 1/16			775a REDLINE MOTOR	
ANGULAR: MACH	\pm 1°			WITH 12T 32DP PINION	
ANGULAR: BEND	\pm 5°			SIZE	DWG. NO.
ONE PLACE DECIMAL	\pm 0.1			A	am-3775a_12T
TWO PLACE DECIMAL	\pm 0.01			SCALE: 1:1	SHEET 1 OF 1
THREE PLACE DECIMAL	\pm 0.005				
FOUR PLACE DECIMAL	\pm 0.0005				
MATERIAL	MOTOR	NAME	DATE	REV	1
FINISH	RED POWDERCOAT FLUX RING SILVER ZINC PLATED BODY GEAR PRESS FIT ONTO SHAFT	CHECKED			
		ENG APPR.			
		MFG APPR.			
	DO NOT SCALE DRAWING	Q.A.			

4

3

2

1