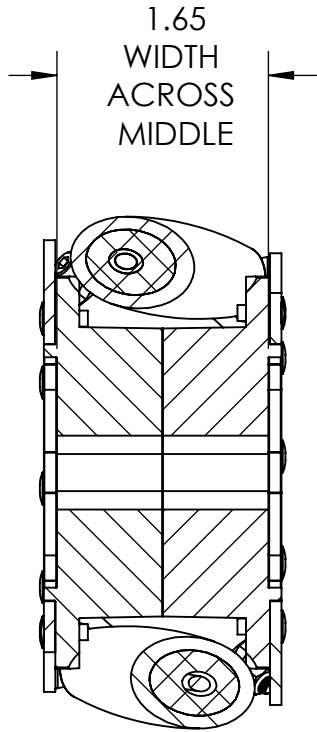
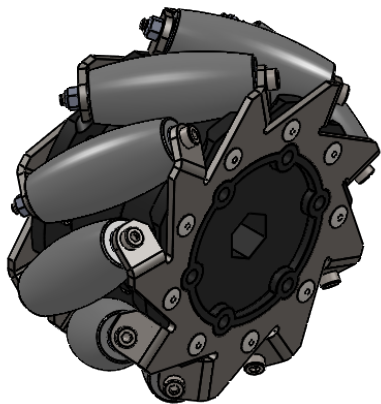
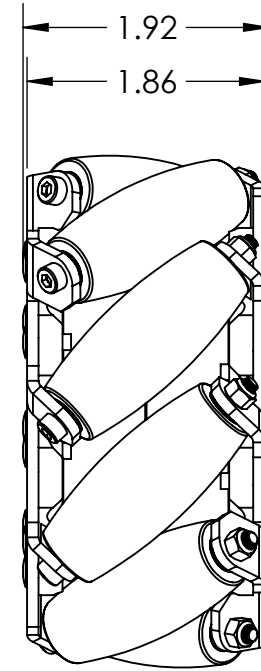
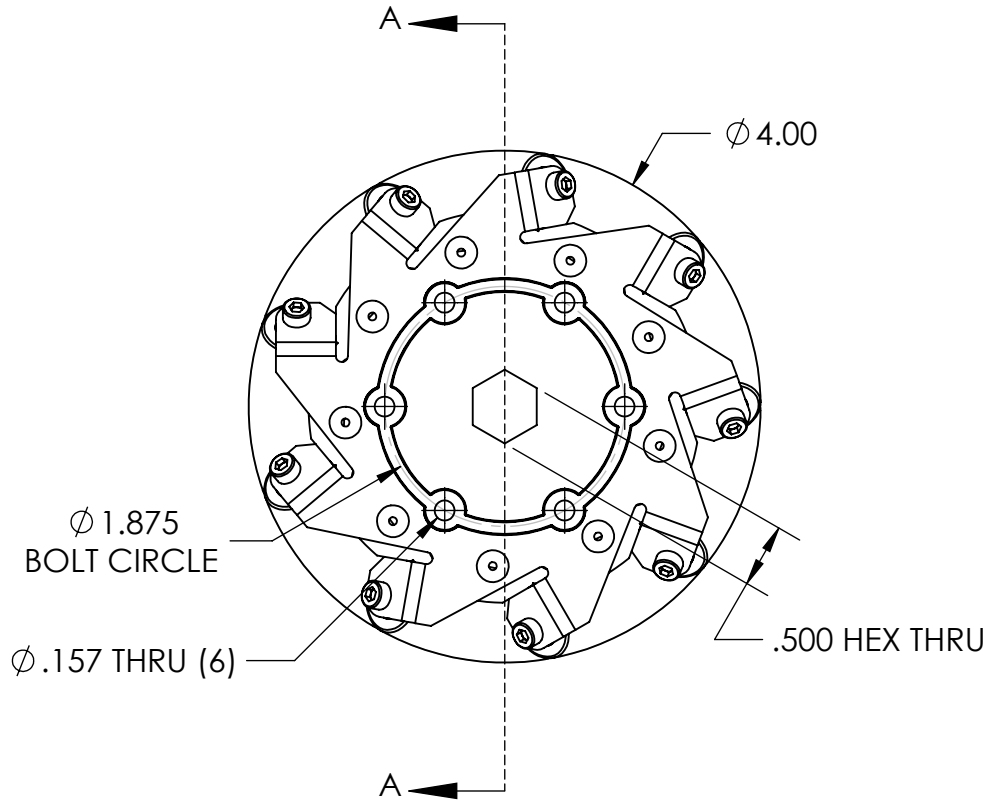



REVISION HISTORY			
REV.	DESCRIPTION	DATE	DRAWN BY
1	ORIGINAL PRINT	12/20/2018	Danny B



SECTION A-A



*** SEE CAD FOR ADDITIONAL TOOLPATH INFO***

UNLESS OTHERWISE SPECIFIED:		COMMENTS:				
DIMENSIONS ARE IN INCHES		DUAL DIMENSIONS ARE IN MILLIMETERS.				
TOLERANCES:		BREAK ALL SHARP EDGES.		TITLE: 4IN HD 500HEX MECANUM WHEEL RIGHT		
FRACTIONAL	±1/16					
ANGULAR: MACH	±1°					
ANGULAR: BEND	±5°					
ONE PLACE DECIMAL	±0.1			SIZE	DWG. NO.	REV
TWO PLACE DECIMAL	±0.01			A	am-3918R	1
THREE PLACE DECIMAL	±0.005			SCALE: 1:1.5		
FOUR PLACE DECIMAL	±0.0005			SHEET 1 OF 1		
MATERIAL		CHECKED	NAME	DATE		
FINISH		ENG APPR.				
		MFG APPR.				
DO NOT SCALE DRAWING		Q.A.				