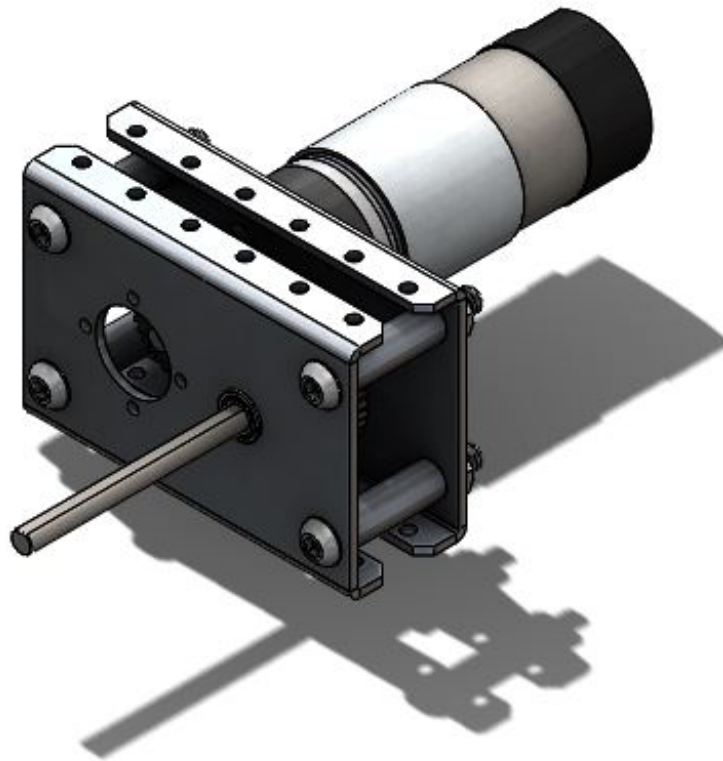


# User Guide

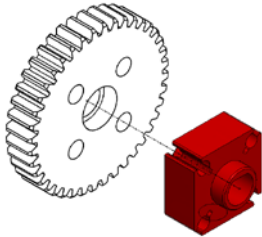
## PicoBox MEO



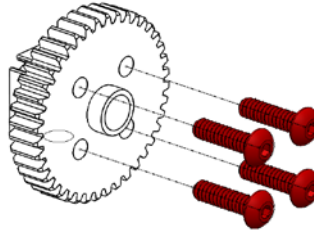
## PicoBox MEO (am-3615)

### Gear Assembly (QTY 2)

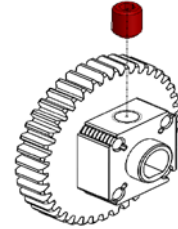
**Step 1:** Install a 6mm D-Bore Double Boss Nub (am-3215) on a 40T gear (am-3407)



**Step 2:** Use four 6-32 x 0.500" long Button Head Screws (am-1418.)

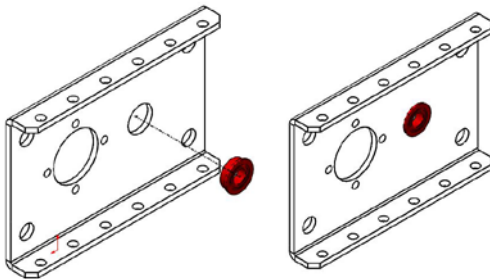


**Step 3:** Thread a 10-32 Set Screw (am-1342) partially into the nub.



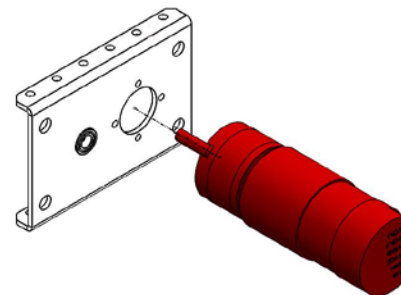
2X

**Step 1:** Press a 6x12x4 Flanged Bearing (am-3377) into the center 12mm hole of a PicoBox MEO gearbox plate (am-3475).

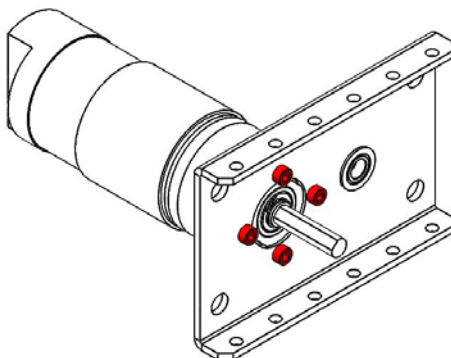


*NOTE: Make sure the flange of the bearing is flush against the sheet metal of the gearbox plate.*

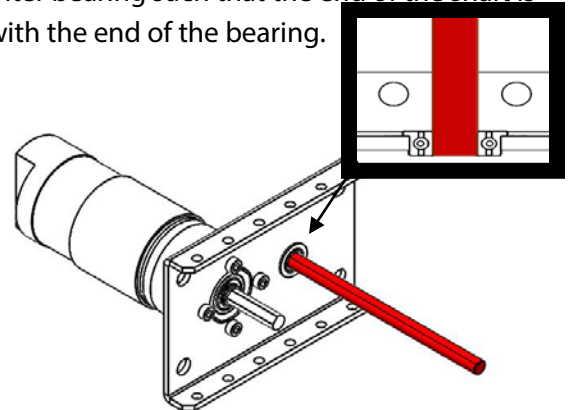
**Step 2:** Insert a NeveRest motor into the remaining 12mm holes of the PicoBox MEO gearbox plate, opposite of the flanges on the gearbox, and line up the threaded holes on the end of the motor with the bolt-circle holes of the gearbox plate.



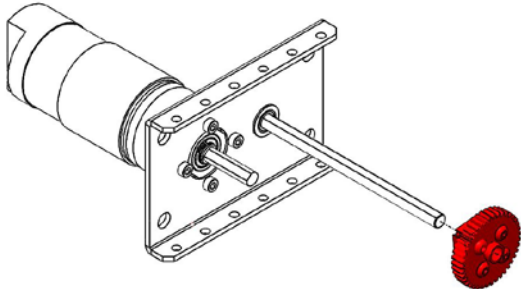
**Step 3:** Install four M3-0.5 x 6mm long socket head screws (am-1254) in each NeveRest motor to secure it to the gearbox plate.



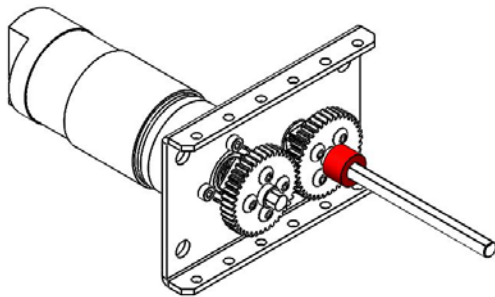
**Step 4:** Install the 6mm D-Shaft (am-3226-100) into the center bearing such that the end of the shaft is flush with the end of the bearing.



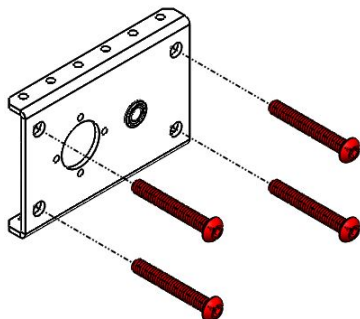
**Step 6:** Install one Gear Assemblies onto the center axle of the gearbox. Be sure to place the boss of the Gear against the spacer. Tighten the #10-32 set screw to lock the Gear Assembly in place.



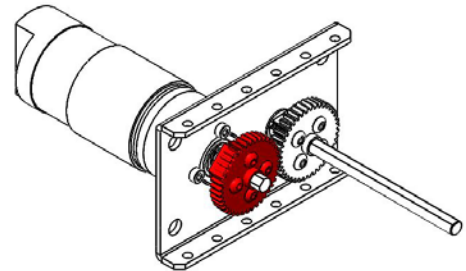
**Step 5:** Install the 7mm long Aluminum Spacer (am-3426) on the center axle up against the previously installed bearing.



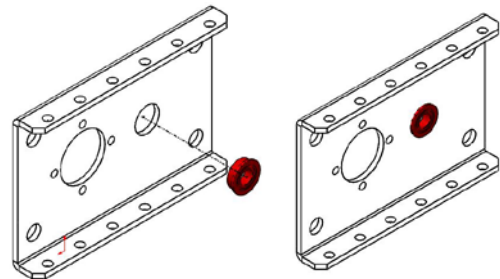
**Step 9:** Insert four 1/4-20 x 1.75" Button Head Screws (am-1420) into the side of the PicoBox MEO gearbox plate without the flange



**Step 7:** Install a Gear Assembly onto each of the NeveRest Motor shafts such that all of the gears in the Gear Assemblies are lined up. Tighten the #10-32 Set screws to lock all the gear assemblies in place.

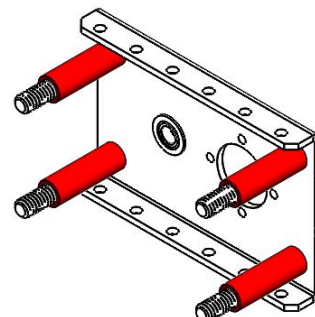


**Step 1:** Press a 6x12x4 Flanged Bearing (am-3377) into the center 12mm hole of a PicoBox MEO gearbox plate (am-3475).

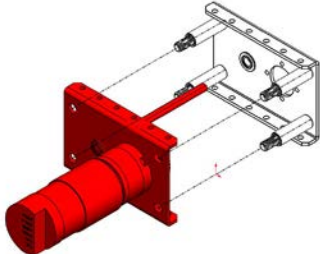


*NOTE: Make sure the flange of the bearing is flush against the sheet metal of the gearbox plate.*

**Step 10:** Place a PicoBox Spacer (am-3406) over all four 1/4-20 screws on the side of the PicoBox MEO gearbox plate with the flanges.



**Step 11:** Insert the Center Axle of the Gearbox Assembly into the center bearing on the PicoBox MEO gearbox plate. Align the four 1/4-20 screws with the 1/4" holes on the PicoBox MEO gearbox plate.



**Step 12:** Secure the gearbox together with four 1/4-20 Nylock Jam Nuts (am-1102)

