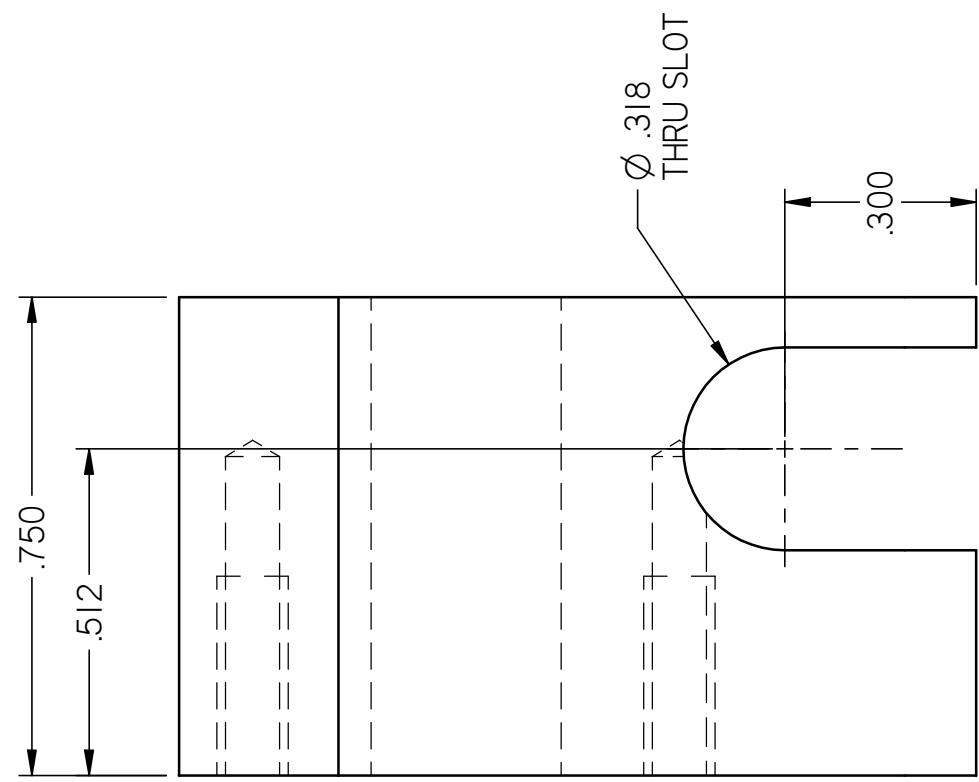
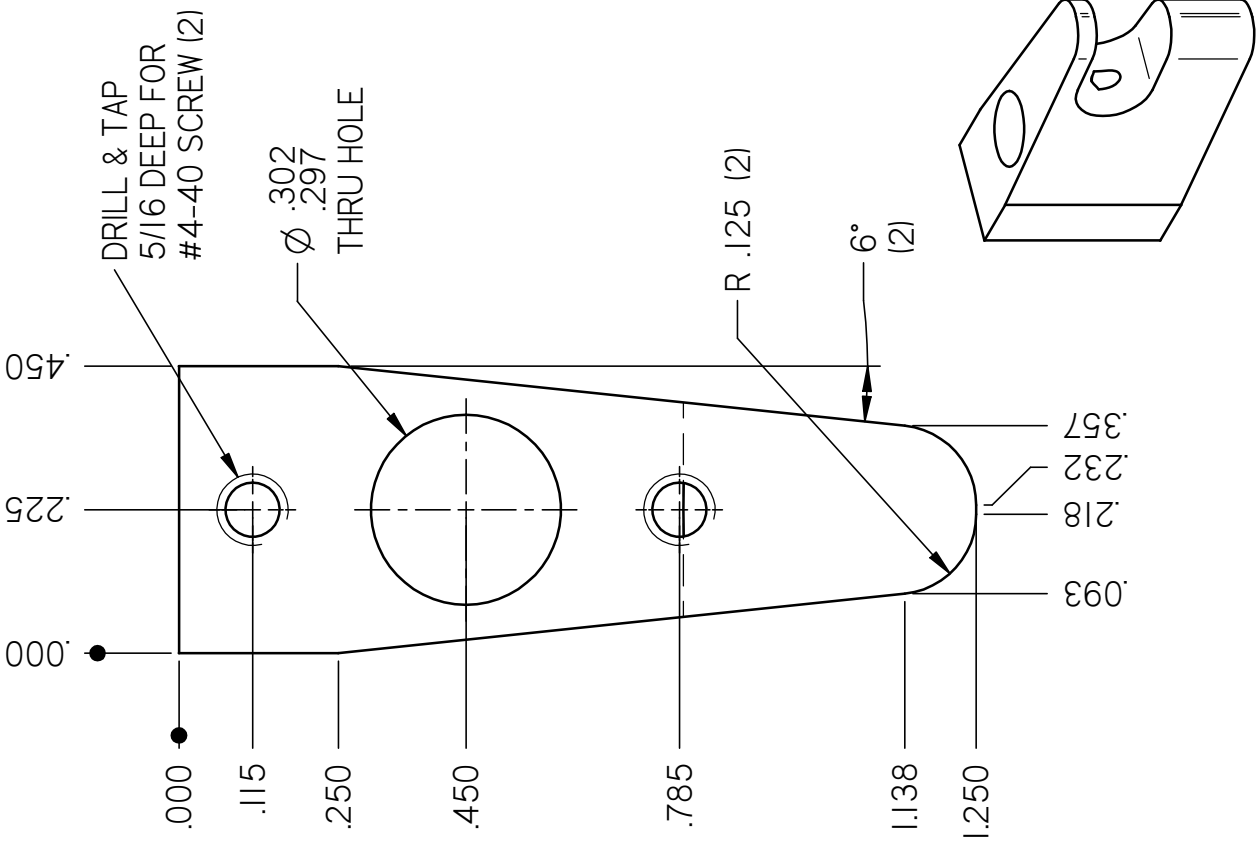


REVISION HISTORY

REV	DESCRIPTION	DATE	APPROVED



DRAWN	Andy Baker	06/28/06
MATERIAL	6061 Aluminum	
QUANTITY	1	
HEAT TREAT		
FINISH		
UNLESS OTHERWISE SPECIFIED DIMENSIONS ARE IN INCHES ANGLES $\pm 0.5^\circ$ 2 PL ± 0.01 3 PL ± 0.005 "		

ANDYMARK.BIZ	
STANDARD SOLUTIONS FOR COMPETITION ROBOTS	
TITLE SERVO ARM	
SIZE	DWG NO
A3	Servo shift d01
REV	1
FILE NAME	Servo_shift_d01.dff
SCALE	WEIGHT:
	SHEET 1 OF 1