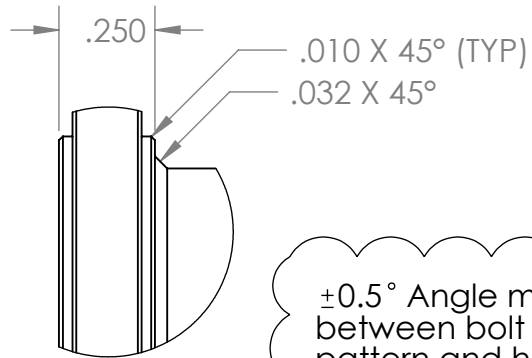
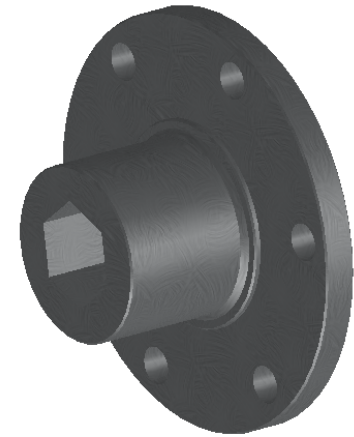


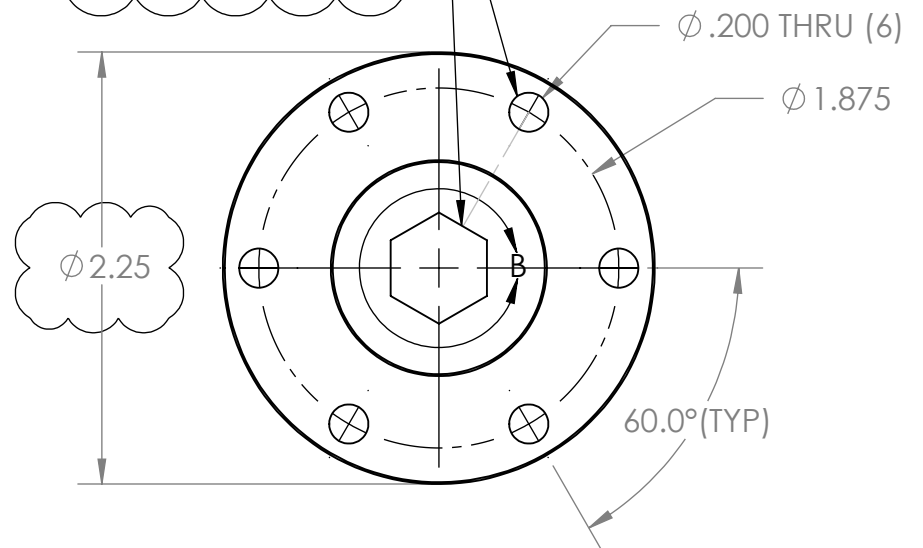
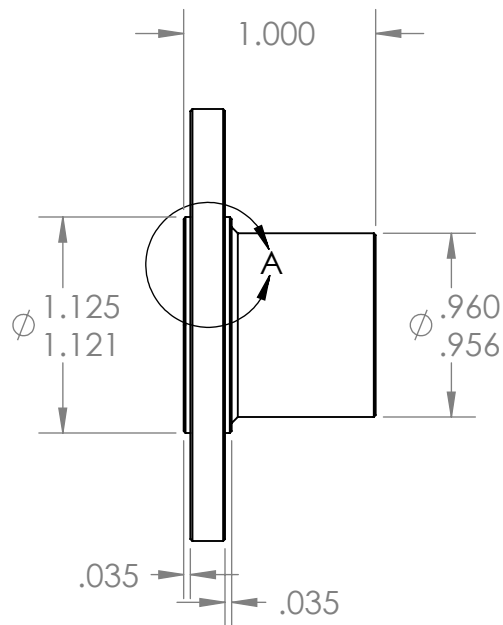
DETAIL B  
SCALE 2 : 1



DETAIL A  
SCALE 2 : 1



±0.5° Angle match  
between bolt circle  
pattern and hex.  
Holes centered on  
flat



UNLESS OTHERWISE SPECIFIED:		NAME	DATE	<b>AndyMark, Inc.</b>	
DIMENSIONS ARE IN INCHES		DRAWN	DB		
TOLERANCES:		CHECKED			TITLE:
FRACTIONAL ±		ENG APPR.			<b>500 Hex Hub</b>
ANGULAR: MACH ± 0.1 BEND ±		MFG APPR.			
TWO PLACE DECIMAL ± 0.01		Q.A.			SIZE DWG. NO. REV
THREE PLACE DECIMAL ± 0.005		COMMENTS:			<b>A</b> <b>am-0096</b> <b>2.1</b>
INTERPRET GEOMETRIC TOLERANCING PER:					SCALE: 1:1 WEIGHT: SHEET 1 OF 1
MATERIAL					
6061 Aluminum					
FINISH					
Tumbled					
DO NOT SCALE DRAWING					