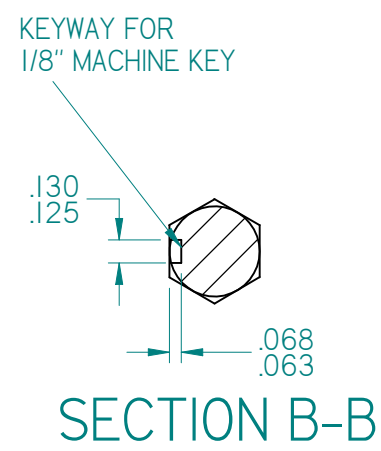
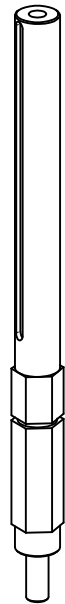
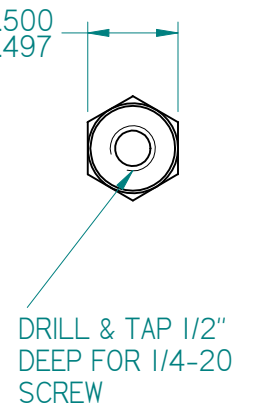
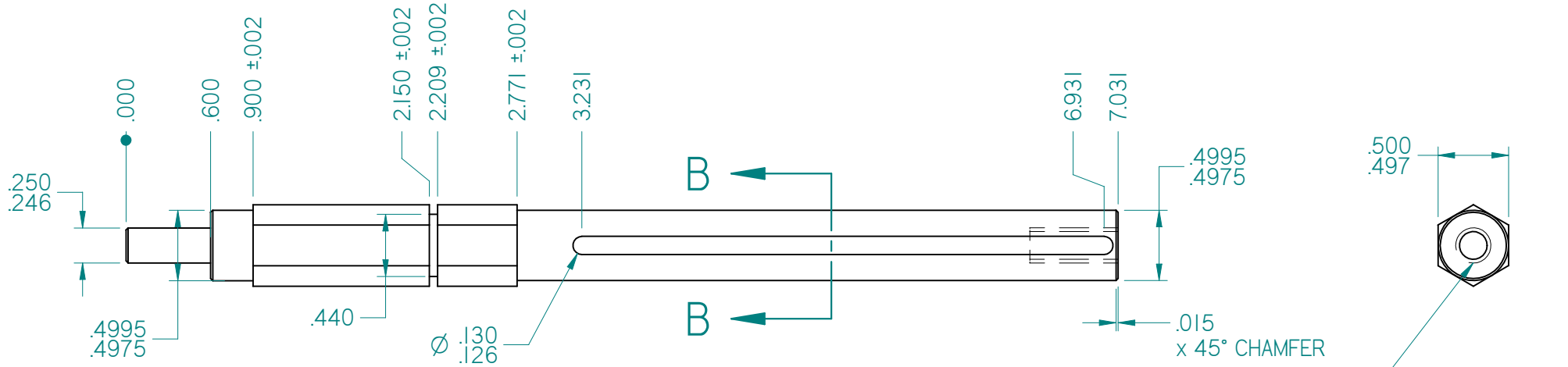


REVISION HISTORY			
REV	DESCRIPTION	DATE	APPROVED



Material: 4140 Steel
 Qty. per gearbox: 1
 Finish: -

AndyMark.biz

DRAWN	NAME	DATE	SOLID EDGE	
CHECKED	Andy Baker	05/05/09	EDS-PLM SOLUTIONS	
ENG APPR			TITLE	
MGR APPR			Wheel Shaft Long	
UNLESS OTHERWISE SPECIFIED DIMENSIONS ARE IN INCHES ANGLES ±0.5° 2 PL ±0.013 PL ±0.005			SIZE A2	DWG NO SuperShifter_d14
			FILE NAME: super_d14.dft	REV 2
			SCALE:	WEIGHT:
			SHEET 1 OF 1	