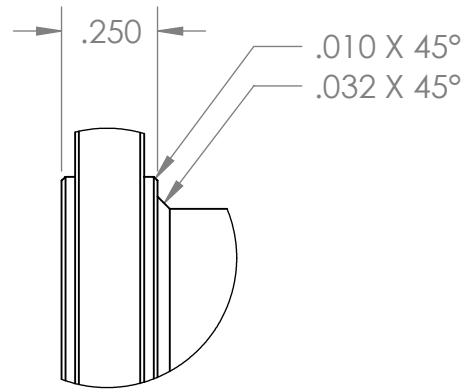
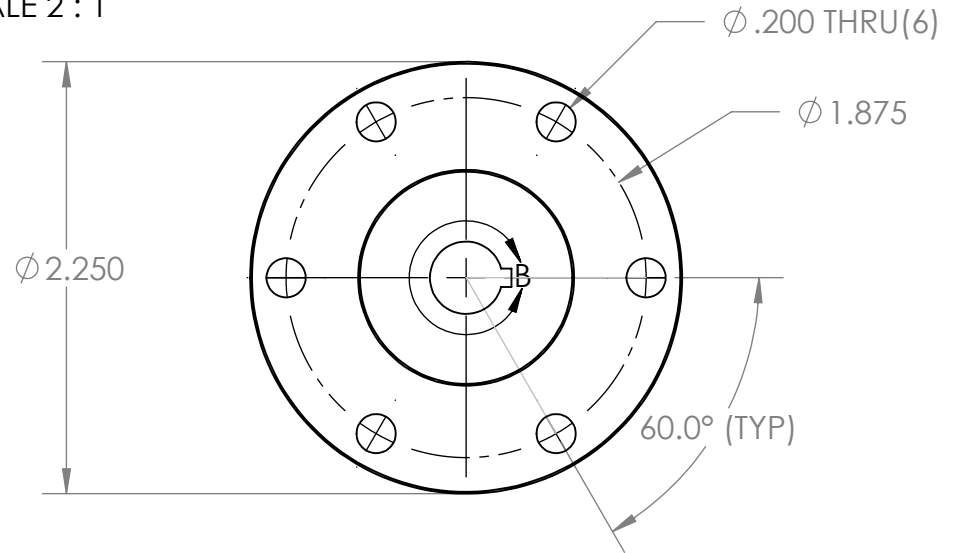
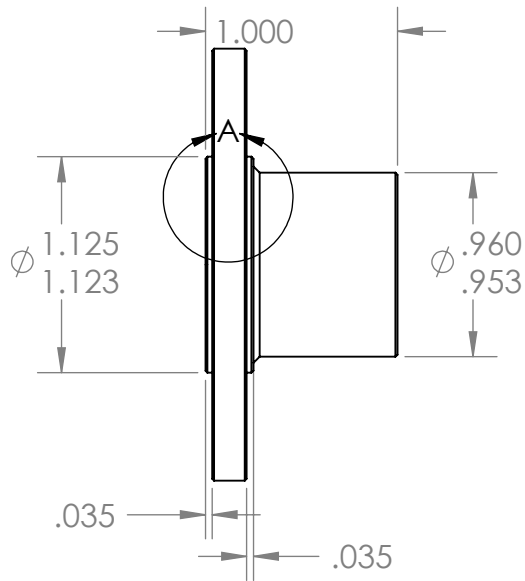
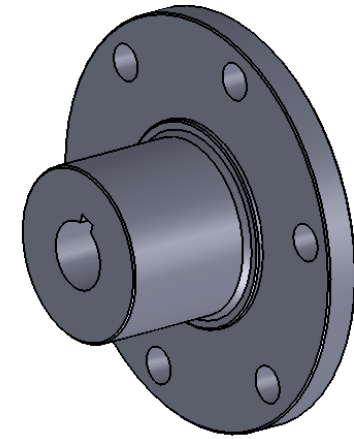


DETAIL B  
SCALE 2 : 1



DETAIL A  
SCALE 2 : 1



**PROPRIETARY AND CONFIDENTIAL**  
THE INFORMATION CONTAINED IN THIS DRAWING IS THE SOLE PROPERTY OF <INSERT COMPANY NAME HERE>. ANY REPRODUCTION IN PART OR AS A WHOLE WITHOUT THE WRITTEN PERMISSION OF <INSERT COMPANY NAME HERE> IS PROHIBITED.

		UNLESS OTHERWISE SPECIFIED:	NAME	DATE
		DIMENSIONS ARE IN INCHES	DRAWN	ts
		TOLERANCES:	CHECKED	05/2013
		FRACTIONAL $\pm$	ENG APPR.	
		ANGULAR: MACH $\pm$ 0.1 BEND $\pm$	MFG APPR.	
		TWO PLACE DECIMAL $\pm$ 0.01	Q.A.	
		THREE PLACE DECIMAL $\pm$ 0.005	COMMENTS:	
		INTERPRET GEOMETRIC TOLERANCING PER:		
		MATERIAL		
		6061 Aluminum		
		FINISH		
		Tumbled		
NEXT ASSY	USED ON	DO NOT SCALE DRAWING		
APPLICATION				

AndyMark, Inc.

TITLE:

375 Key Hub

SIZE	DWG. NO.	REV
<b>A</b>	am-0134a	<b>2</b>

SCALE: 1:1	WEIGHT:	SHEET 1 OF 1
------------	---------	--------------