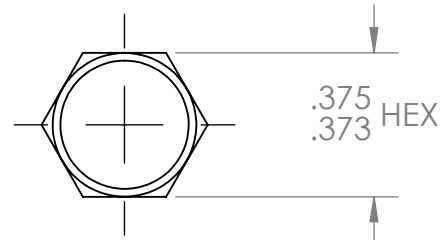
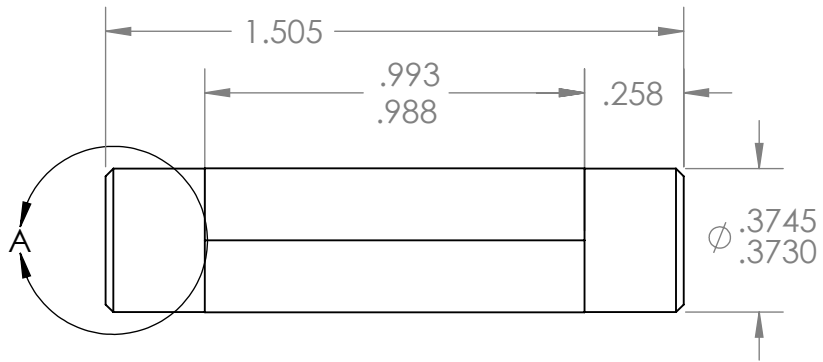
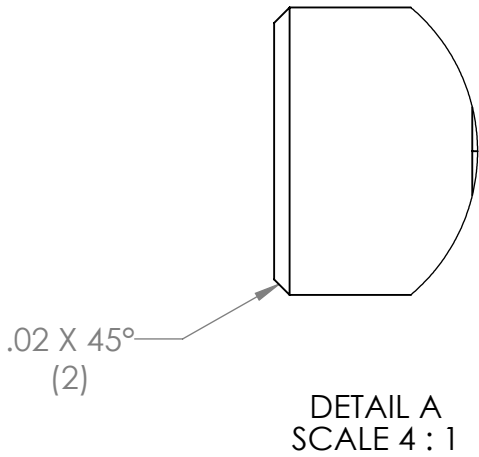
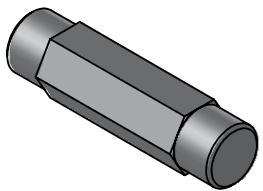



REVISION HISTORY			
REV.	DESCRIPTION	DATE	DRAWN BY
1	ORIGINAL PRINT	8/23/2013	D. BLAU
2	UPDATED TO AMDS-1	6/11/2018	A. MILLS



\*\*\* SEE CAD FOR ADDITIONAL TOOLPATH INFO\*\*\*



UNLESS OTHERWISE SPECIFIED:		COMMENTS:				
<b>DIMENSIONS ARE IN INCHES</b>		DUAL DIMENSIONS ARE IN MILLIMETERS.				
TOLERANCES:		BREAK ALL SHARP EDGES		TITLE:		
FRACTIONAL	±1/16			TOUGHBOX INTERNAL		
ANGULAR: MACH	±1°			HEX SHAFT		
ANGULAR: BEND	±5°			SIZE		
ONE PLACE DECIMAL	±0.1			DWG. NO.		
TWO PLACE DECIMAL	±0.01			A am-0152		
THREE PLACE DECIMAL	±0.005			REV		
FOUR PLACE DECIMAL	±0.0005			2		
MATERIAL	1018, 1215, 12L14	CHECKED	NAME	DATE	SCALE: 2:1	
FINISH	ZINC PLATED	ENG APPR.			WEIGHT:	
DO NOT SCALE DRAWING		MFG APPR.			SHEET 1 OF 1	
		Q.A.				