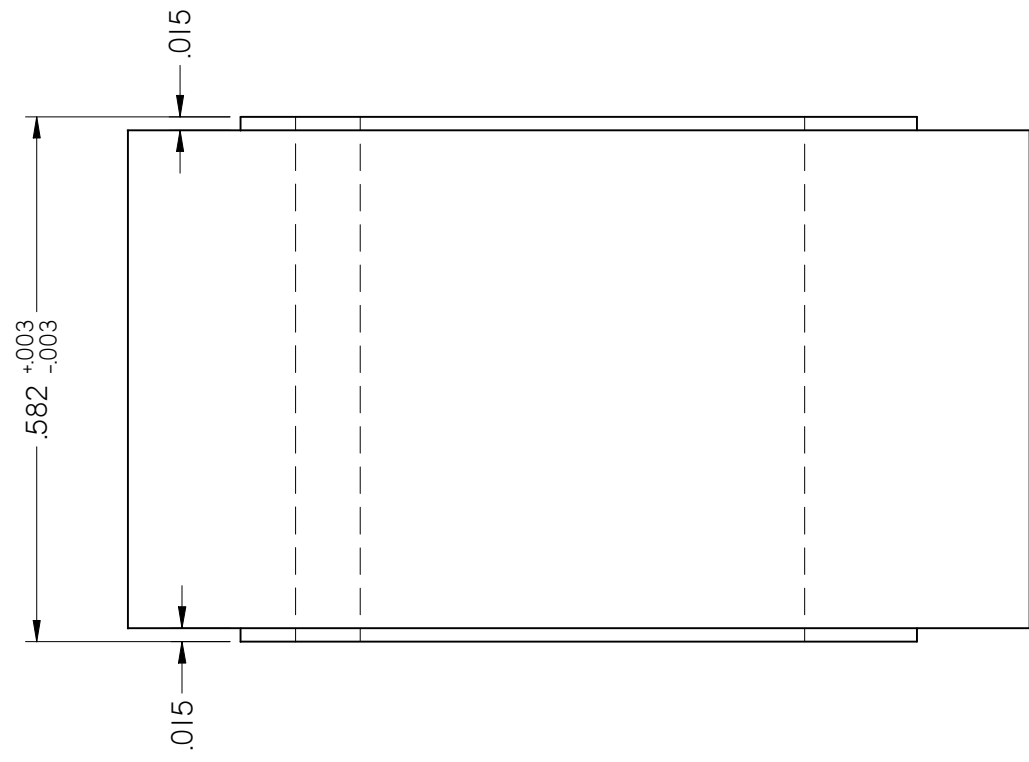
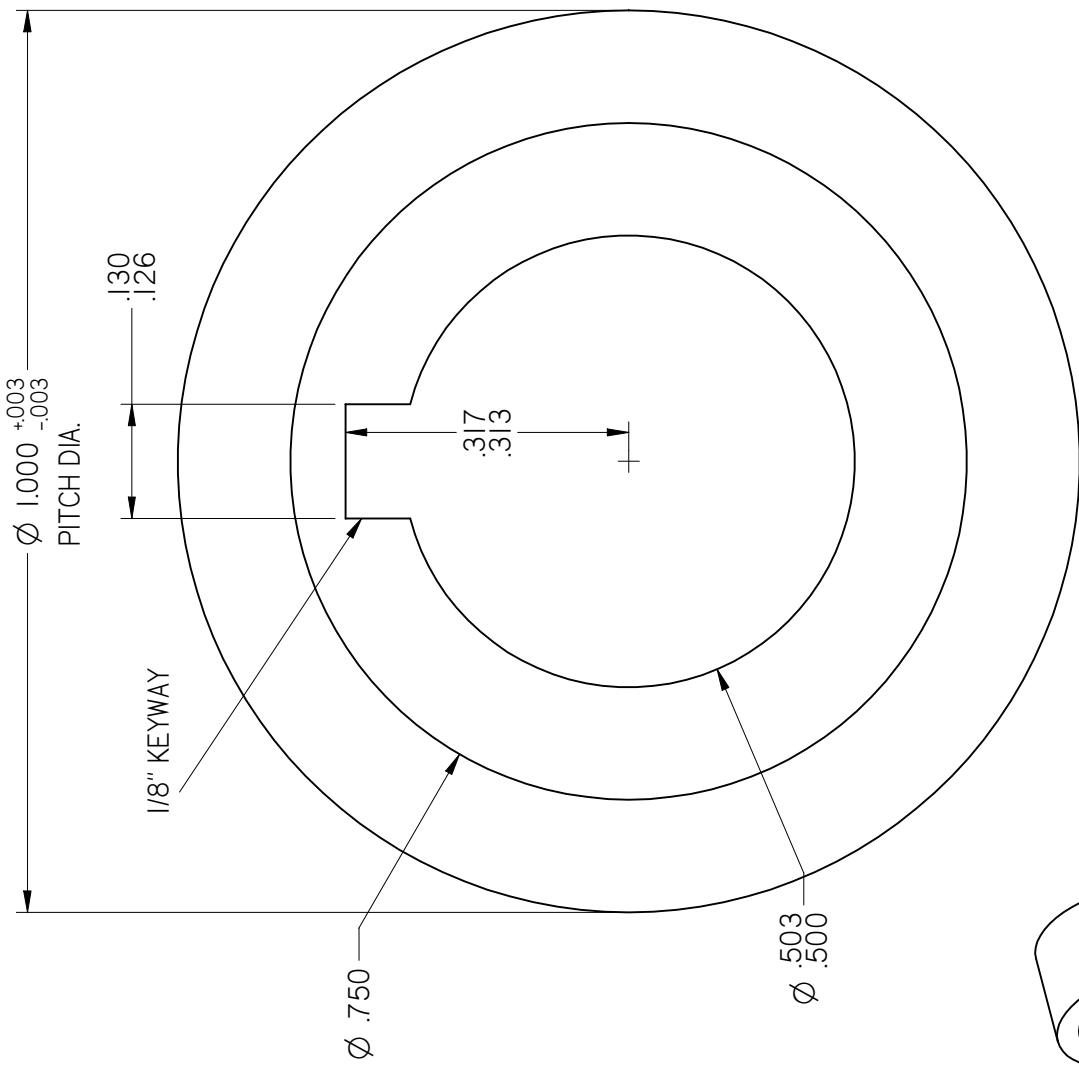


REVISION HISTORY		
REV	DESCRIPTION	DATE



AndyMark.biz

DRAWN	NAME	DATE	SIZE	REV
	Andy Bobert	06/12/07	AZ	1
CHECKED				
ENG APPR				
MGR APPR				

SOLID EDGE	
EDS-PLM SOLUTIONS	
TITLE	
20 Tooth Drive Gear	
FILE NAME	super-007.dft
SCALE	2 PL ±0.013 PL ±0.005
WEIGHT	

Material: 4140 Steel
Qty. per gearbox: 1
Finish: -