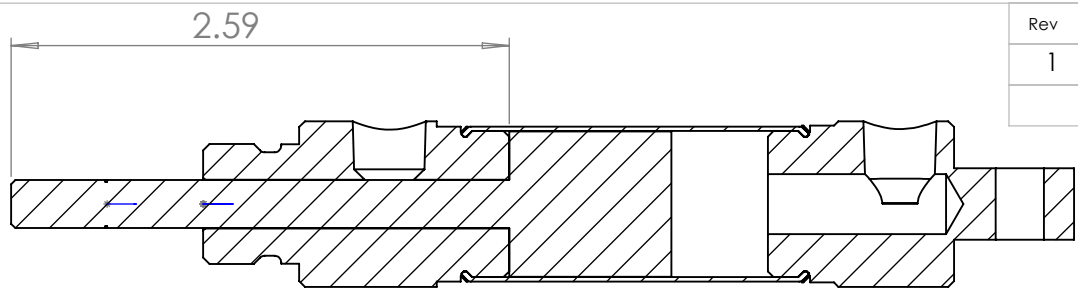
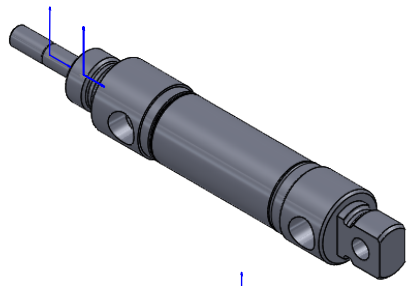
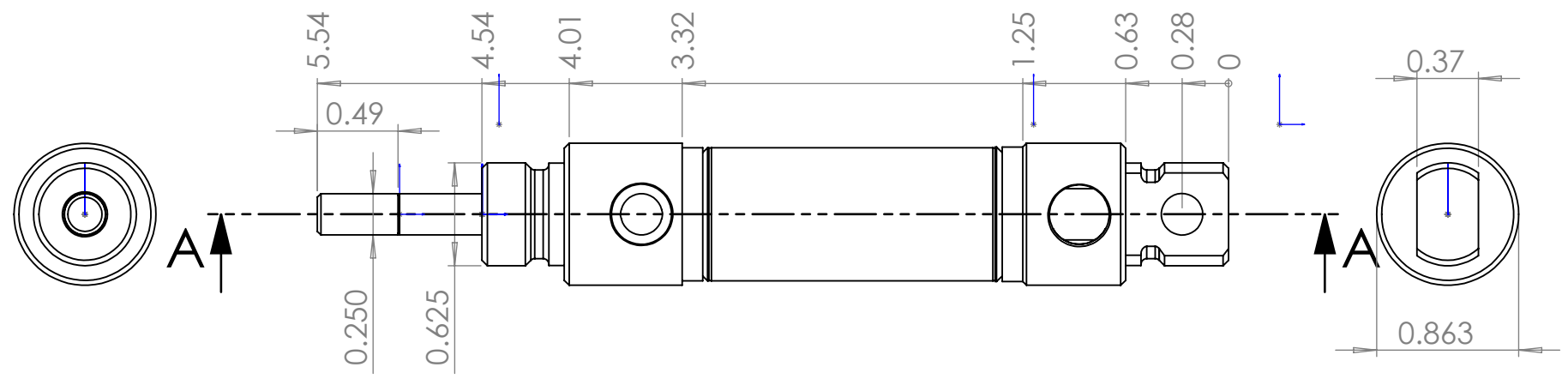


Rev	Description of Changes
1	Original Print



SECTION A-A

SCALE 1 : 1



UNLESS OTHERWISE SPECIFIED:

DIMENSIONS ARE IN INCHES
 TOLERANCES:
 FRACTIONAL
 ANGULAR: MACH BEND 5
 TWO PLACE DECIMAL 0.010
 THREE PLACE DECIMAL 0.005

INTERPRET GEOMETRIC TOLERANCING PER:

MATERIAL

FINISH

DO NOT SCALE DRAWING

	NAME	DATE
DRAWN	JA	6/1/16
CHECKED		
ENG APPR.		
MFG APPR.		
Q.A.		

COMMENTS:
 Dual dimensions are in millimeters



TITLE:
Bimba Air Cylinder

SIZE	DWG. NO.	REV
A	am-0292	1

SCALE: 1:2 WEIGHT: SHEET 1 OF 1