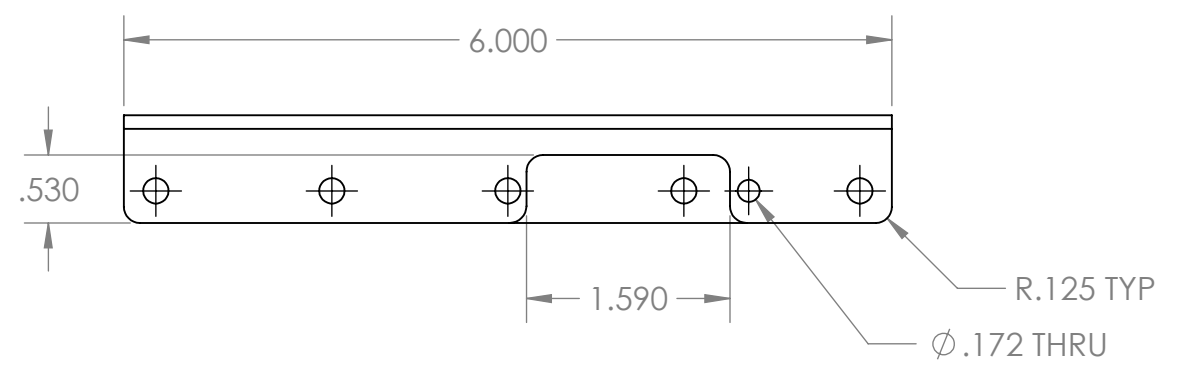
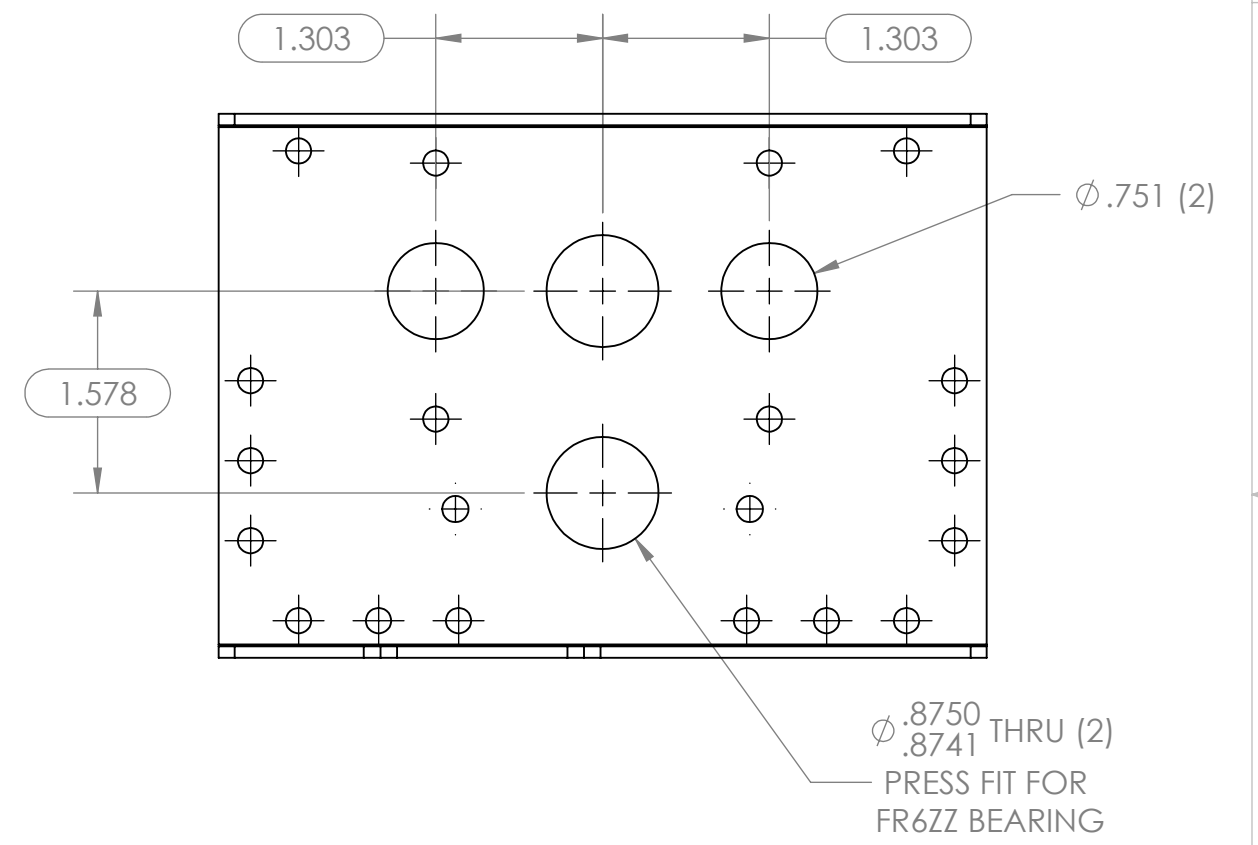
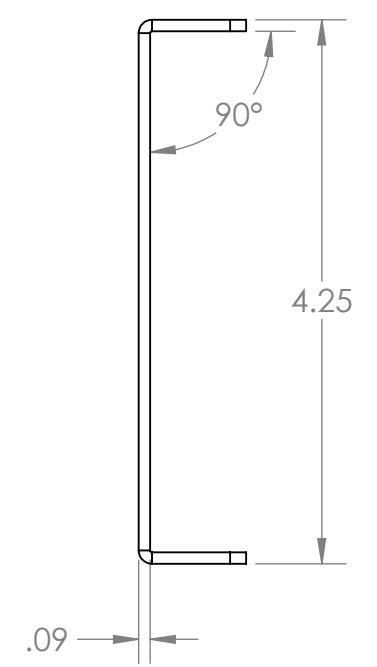
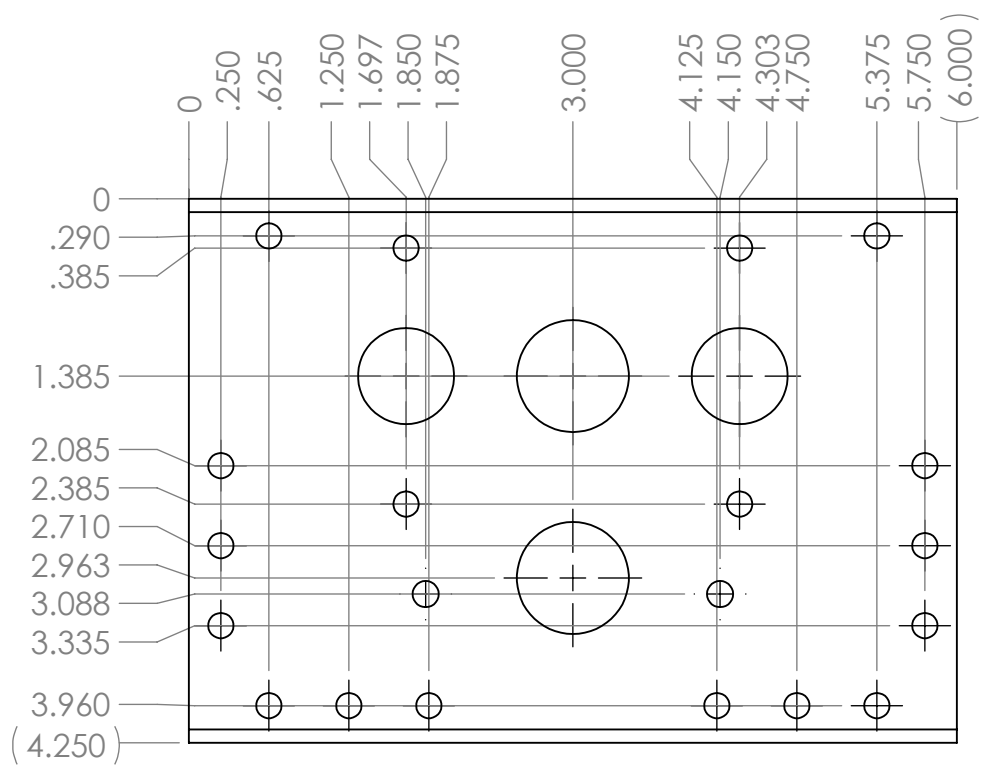
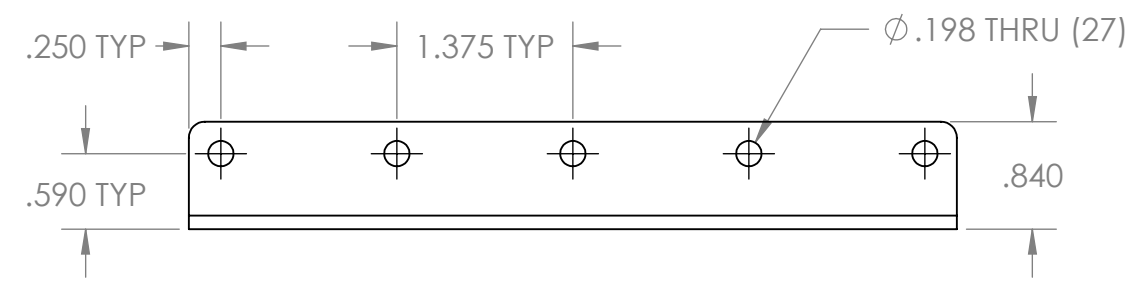


REVISIONS			
REV.	DESCRIPTION	DATE	APPROVED
4	REDRAWN TO AM DWG STANDARDS. NO FEATURE CHANGES OCCUR IN THIS REVISION.	8/9/2016	N. LAWRENCE



UNLESS OTHERWISE SPECIFIED:  
 DIMENSIONS ARE IN INCHES  
 TOLERANCES:  
 FRACTIONAL  $\pm 1/32$   
 ANGULAR: MACH  $\pm$  BEND  $\pm 5^\circ$   
 ONE PLACE DECIMAL  $\pm 0.1$   
 TWO PLACE DECIMAL  $\pm 0.01$   
 THREE PLACE DECIMAL  $\pm 0.005$   
 INTERPRET GEOMETRIC TOLERANCING PER:  
 MATERIAL STEEL  
 FINISH ZINC PLATED  
 DO NOT SCALE DRAWING

	NAME	DATE
DRAWN	NL	8/9/16
CHECKED		
ENG APPR.		
MFG APPR.		
Q.A.		
COMMENTS:	ALL FILLETS ARE 0.125" RAD UNLESS OTHERWISE SPECIFIED	

**AndyMark**

TITLE:  
**AM SHIFTER INSIDE PLATE**

SIZE <b>B</b>	DWG. NO. <b>am-0294</b>	REV <b>4</b>
SCALE: 1:1.5		WEIGHT:
SHEET 1 OF 1		