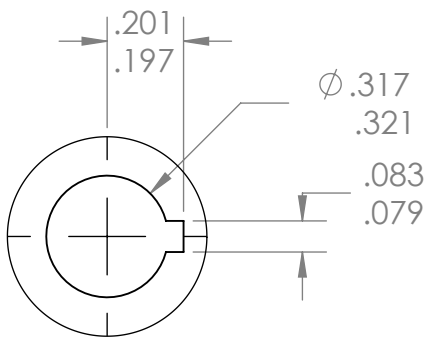
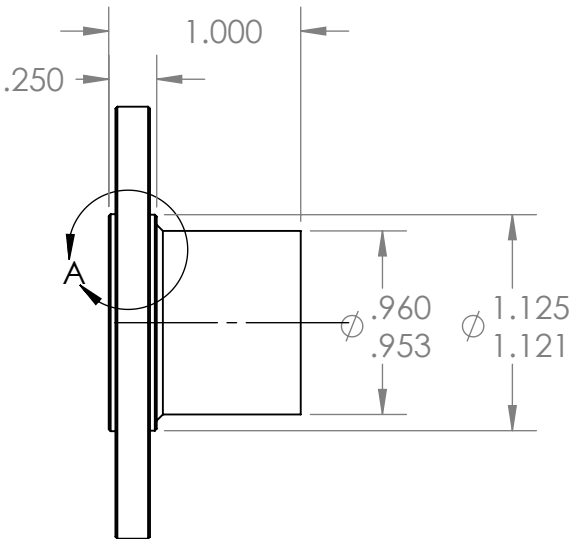
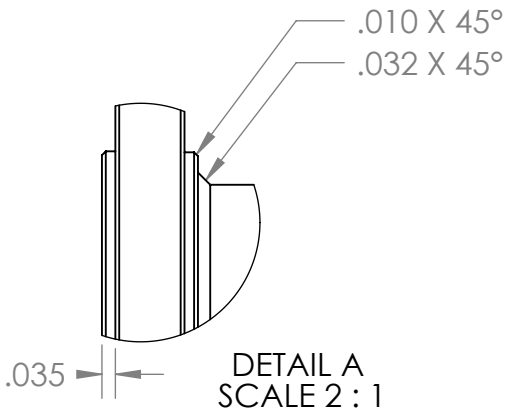
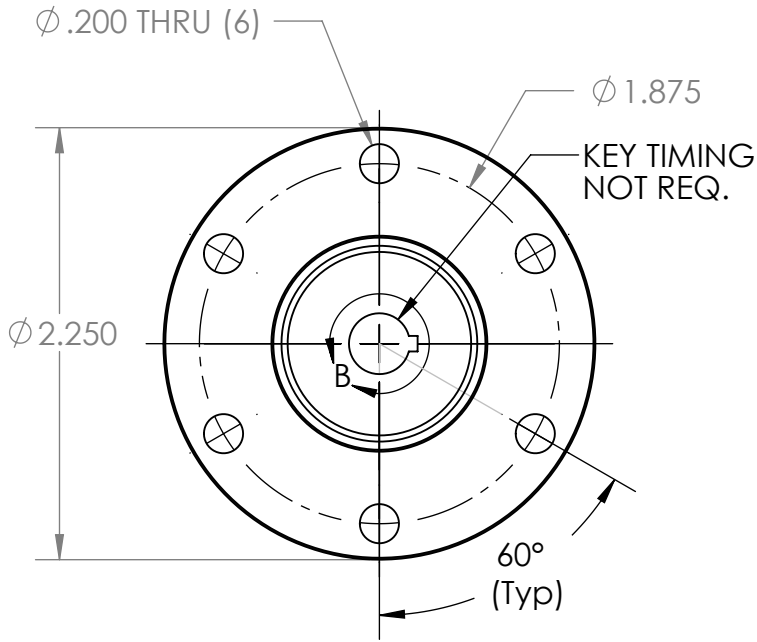


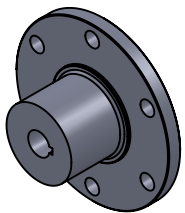
REVISION HISTORY			
REV.	DESCRIPTION	DATE	DRAWN BY
1	ORIGINAL PRINT	05/2013	T. S.




DETAIL B
SCALE 2 : 1



DETAIL A
SCALE 2 : 1



*** SEE CAD FOR ADDITIONAL TOOLPATH INFO***

UNLESS OTHERWISE SPECIFIED:		COMMENTS:					
DIMENSIONS ARE IN INCHES		DUAL DIMENSIONS ARE IN MILLIMETERS.					
TOLERANCES:		BREAK ALL SHARP EDGES		TITLE:			
FRACTIONAL	±1/16			<p style="text-align: center; font-size: 24pt; font-weight: bold;">8MM KEY HUB</p>			
ANGULAR: MACH	±1°						
ANGULAR: BEND	±5°						
ONE PLACE DECIMAL	±0.1						
TWO PLACE DECIMAL	±0.01			SIZE	DWG. NO.	REV	
THREE PLACE DECIMAL	±0.005			A	am-0320a	1	
FOUR PLACE DECIMAL	±0.0005			SCALE: 1:1		WEIGHT:	SHEET 1 OF 1
MATERIAL	6061-T6 AL	NAME	DATE				
FINISH	DEBURRED	CHECKED					
DO NOT SCALE DRAWING		ENG APPR.					
		MFG APPR.					
		Q.A.					