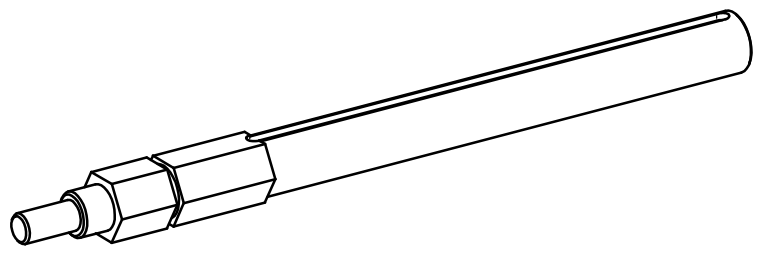
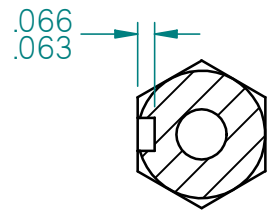
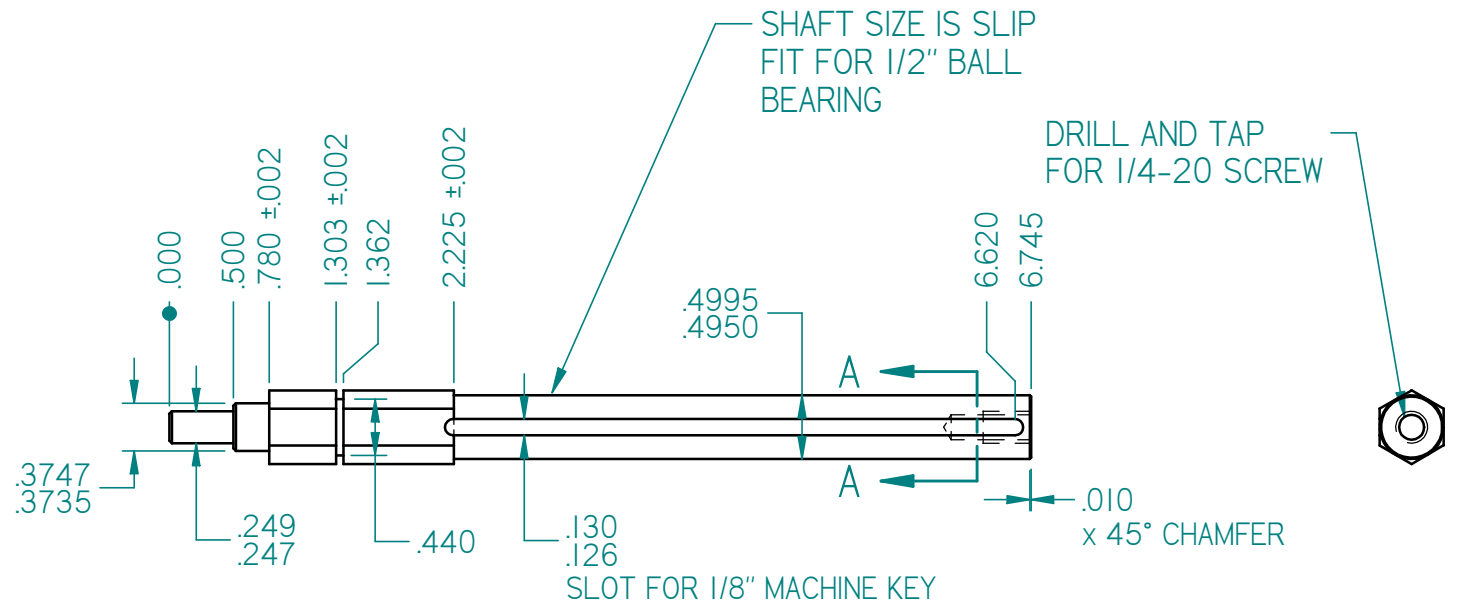
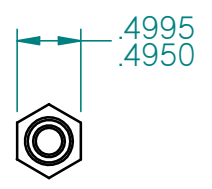


REVISION HISTORY			
REV	DESCRIPTION	DATE	APPROVED



DRAWN	Andy Baker	12/07/09	ANDYMARK.BIZ STANDARD SOLUTIONS FOR COMPETITION ROBOTS		
MATERIAL	4140 STEEL				
QUANTITY	1		TITLE LONG OUTPUT SHAFT		
HEAT TREAT					
FINISH			SIZE A3	DWG NO ToughboxNano_d05	REV 1
UNLESS OTHERWISE SPECIFIED DIMENSIONS ARE IN INCHES ANGLES ±0.5° 2 PL ±0.01" 3 PL ±0.005"			FILE NAME: Toughbox-nano-d05.dft		
			SCALE:	WEIGHT:	SHEET 1 OF 1