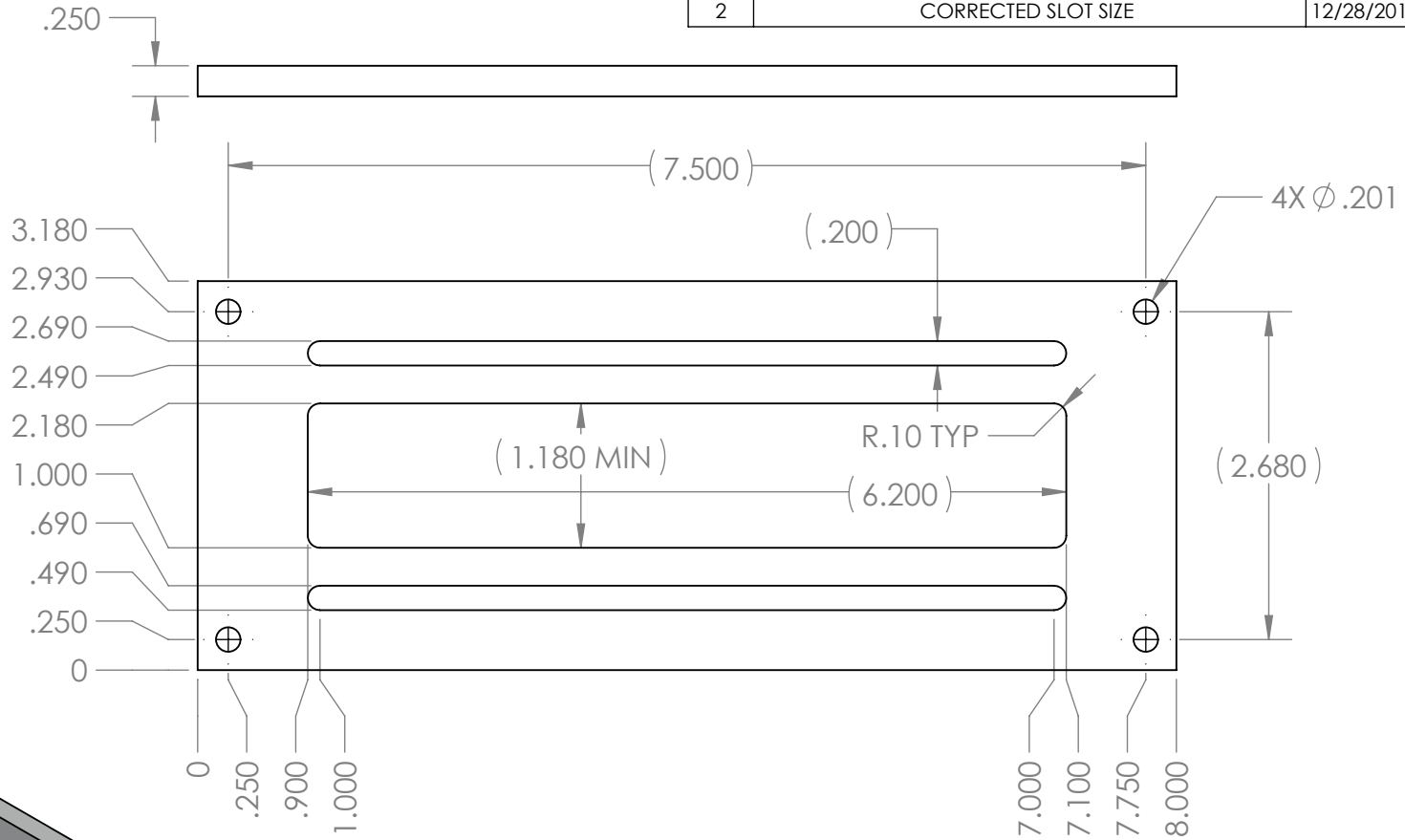
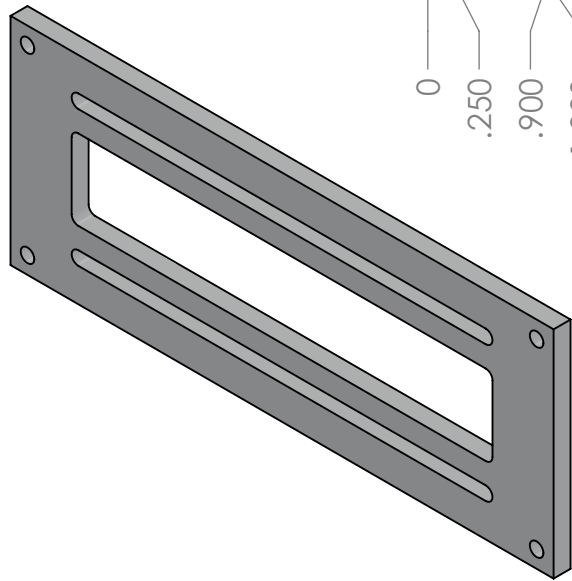



REVISION HISTORY			
REV.	DESCRIPTION	DATE	DRAWN BY
1	ORIGINAL PRINT	11/9/2017	K. NEPOMUCENO
2	CORRECTED SLOT SIZE	12/28/2017	N.MASSOUDA



*** SEE CAD FOR ADDITIONAL TOOLPATH INFO***



UNLESS OTHERWISE SPECIFIED:		COMMENTS:				
DIMENSIONS ARE IN INCHES		DUAL DIMENSIONS ARE IN MILLIMETERS.				
TOLERANCES:		BREAK ALL SHARP EDGES.		TITLE:		
FRACTIONAL	±1/16			1 SLOT MODULOX PLATE		
ANGULAR: MACH	±1°					
ANGULAR: BEND	±5°					
ONE PLACE DECIMAL	±0.1					
TWO PLACE DECIMAL	±0.01			SIZE	DWG. NO.	REV
THREE PLACE DECIMAL	±0.005			A	am-0857	2
FOUR PLACE DECIMAL	±0.0005			SCALE: 2:3		SHEET 1 OF 1
MATERIAL	6061 ALUMINUM	CHECKED	NAME	DATE		
FINISH	TUMBLER	ENG APPR.				
DO NOT SCALE DRAWING		MFG APPR.				
		Q.A.				