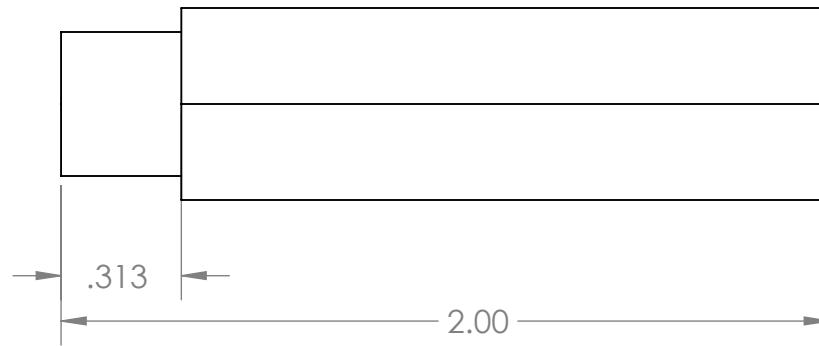
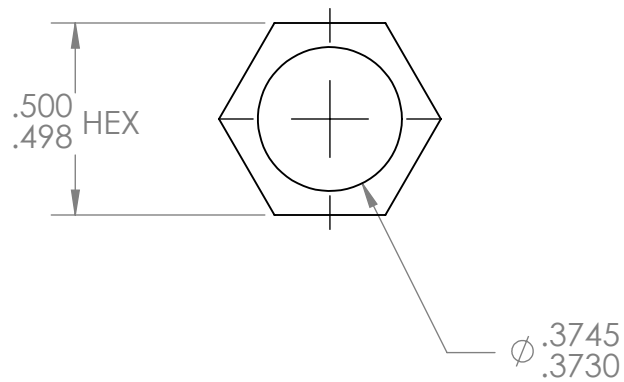



REVISION HISTORY			
REV.	DESCRIPTION	DATE	DRAWN BY
1	ORIGINAL PRINT	5/26/2011	M. KOORS
2	DRAWN TO MEET AMDS-1	6/11/2018	B. HODSON



\*\*\* SEE CAD FOR ADDITIONAL TOOLPATH INFO\*\*\*

UNLESS OTHERWISE SPECIFIED:		COMMENTS:					
<b>DIMENSIONS ARE IN INCHES</b>		DUAL DIMENSIONS ARE IN MILLIMETERS.					TITLE:
TOLERANCES: FRACTIONAL ±1/16 ANGULAR: MACH ±1° ANGULAR: BEND ±5° ONE PLACE DECIMAL ±0.1 TWO PLACE DECIMAL ±0.01 THREE PLACE DECIMAL ±0.0005 FOUR PLACE DECIMAL ±0.0005		BREAK ALL SHARP EDGES		WORM SHAFT			
MATERIAL		CHECKED	NAME	DATE	SIZE	DWG. NO.	REV
6061-T6 ALUMINUM		ENG APPR.	NL	6/12/18	<b>A</b>	am-0923	2
FINISH		MFG APPR.					
DEBURRED		Q.A.			SCALE: 2:1	WEIGHT:	SHEET 1 OF 1
DO NOT SCALE DRAWING							