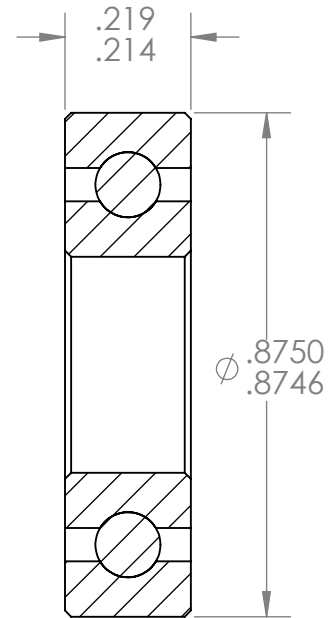
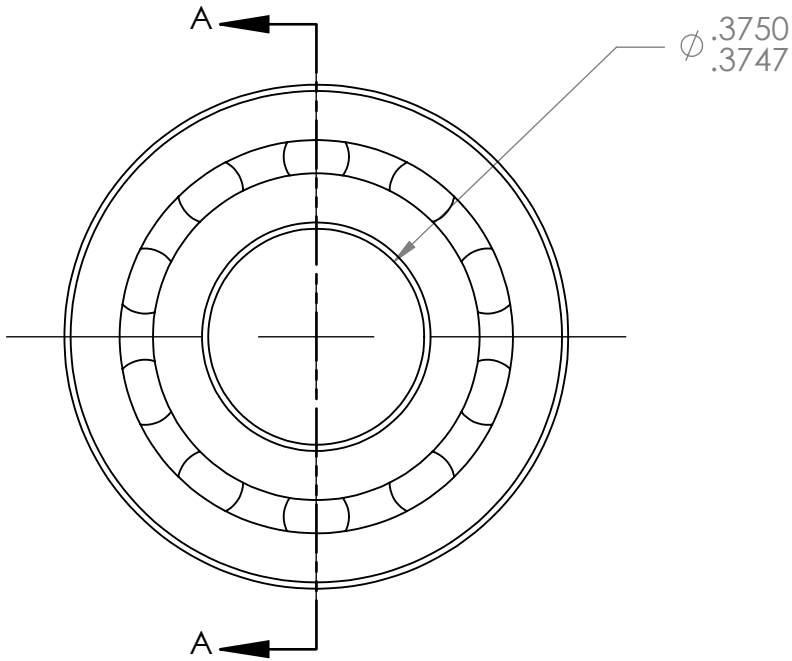



REVISION HISTORY			
REV.	DESCRIPTION	DATE	DRAWN BY
1	ORIGINAL PRINT	6/17/14	
2	DRAWN TO MEET AMDS-1	6/8/2018	B. HODSON



SECTION A-A

\*\*\* SEE CAD FOR ADDITIONAL TOOLPATH INFO\*\*\*

UNLESS OTHERWISE SPECIFIED:		COMMENTS:				
<b>DIMENSIONS ARE IN INCHES</b>		DUAL DIMENSIONS ARE IN MILLIMETERS.				
TOLERANCES:		BREAK ALL SHARP EDGES		SIZE	DWG. NO.	REV
FRACTIONAL	$\pm 1/16$			<b>A</b>	<b>am-0936</b>	<b>2</b>
ANGULAR: MACH	$\pm 1^\circ$					
ANGULAR: BEND	$\pm 5^\circ$					
ONE PLACE DECIMAL	$\pm 0.1$					
TWO PLACE DECIMAL	$\pm 0.01$					
THREE PLACE DECIMAL	$\pm 0.005$					
FOUR PLACE DECIMAL	$\pm 0.0005$					
MATERIAL		CHECKED	NAME	DATE		
		ENG APPR.	NL	6/25/18		
FINISH		MFG APPR.				
		Q.A.				
DO NOT SCALE DRAWING				SCALE: 3:1	WEIGHT:	SHEET 1 OF 1