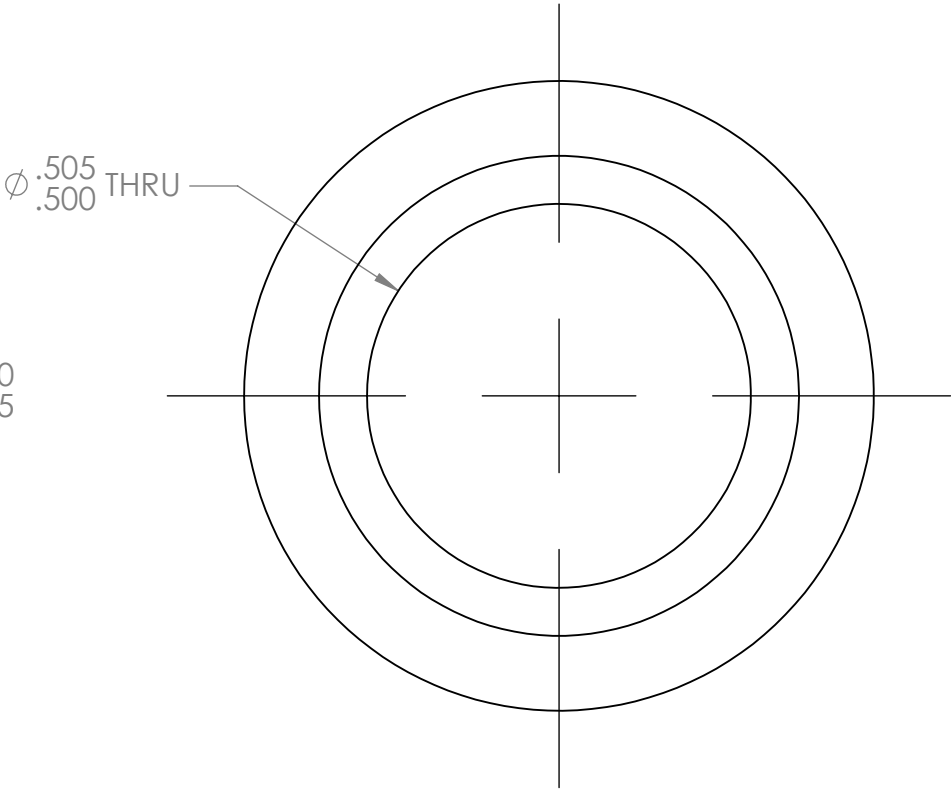
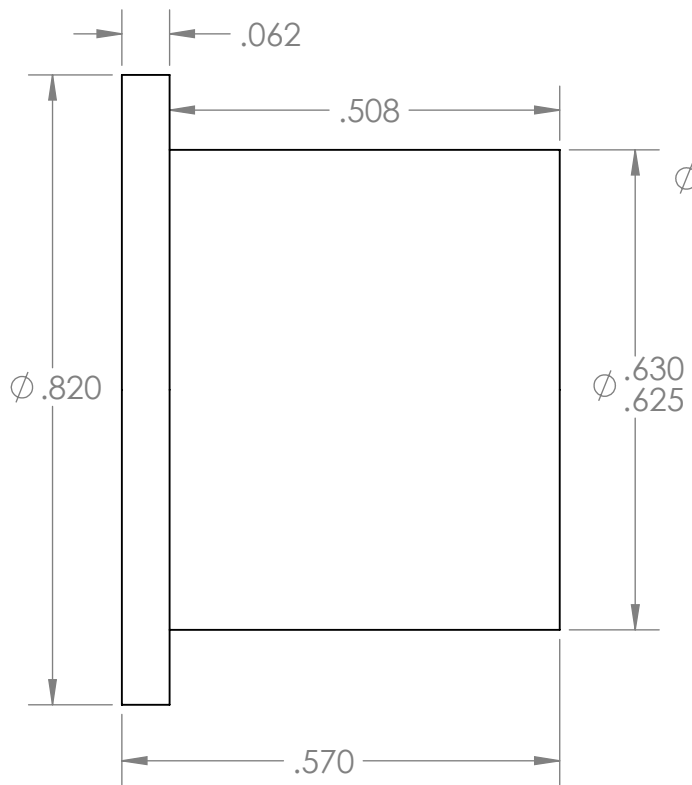



REVISION HISTORY			
REV.	DESCRIPTION	DATE	DRAWN BY
1	ORIGINAL PRINT	6/23/2014	R. BAKER
2	DRAWN TO MEET AMDS-1	6/25/2018	B. HODSON



*** SEE CAD FOR ADDITIONAL TOOLPATH INFO***

UNLESS OTHERWISE SPECIFIED:		COMMENTS:				
DIMENSIONS ARE IN INCHES		DUAL DIMENSIONS ARE IN MILLIMETERS.				
TOLERANCES: FRACTIONAL ±1/16 ANGULAR: MACH ±1° ANGULAR: BEND ±5° ONE PLACE DECIMAL ±0.1 TWO PLACE DECIMAL ±0.01 THREE PLACE DECIMAL ±0.005 FOUR PLACE DECIMAL ±0.0005		BREAK ALL SHARP EDGES		TITLE: 500X625X500 IN SHOULDER SPACER		
MATERIAL NYLON		NAME NL	DATE 6/27/18	SIZE A	DWG. NO. am-0947	REV 2
FINISH DEBURRED		ENG APPR.	MFG APPR.	SCALE: 2:1 WEIGHT:		SHEET 1 OF 1
DO NOT SCALE DRAWING		Q.A.				

