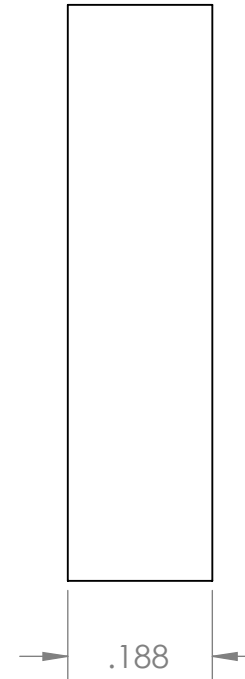
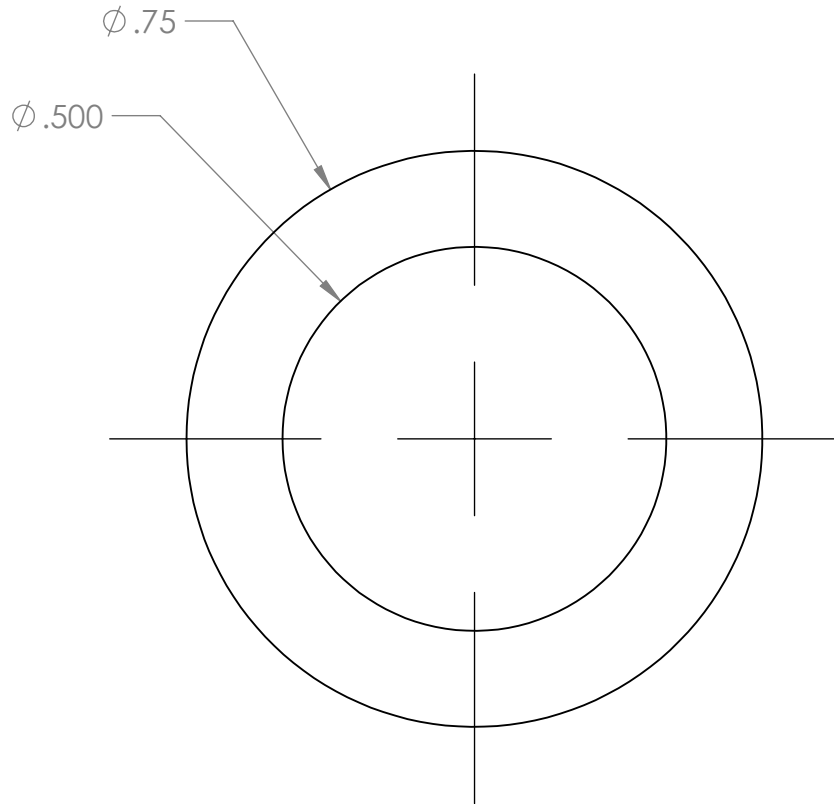



| REVISION HISTORY | | | |
|------------------|----------------------|-----------|-----------|
| REV. | DESCRIPTION | DATE | DRAWN BY |
| 1 | ORIGINAL PRINT | 6/23/2014 | R. BAKER |
| 2 | DRAWN TO MEET AMDS-1 | 6/11/2018 | B. HODSON |



*** SEE CAD FOR ADDITIONAL TOOLPATH INFO***

| | | | | | | | |
|---|--|-------------------------------------|------------|---|------------------|---------------------------------|-----------------|
| UNLESS OTHERWISE SPECIFIED: | | COMMENTS: | |  | | | |
| DIMENSIONS ARE IN INCHES | | DUAL DIMENSIONS ARE IN MILLIMETERS. | | | | | |
| TOLERANCES: FRACTIONAL ±1/16 ANGULAR: MACH ±1° ANGULAR: BEND ±5° ONE PLACE DECIMAL ±0.1 TWO PLACE DECIMAL ±0.01 THREE PLACE DECIMAL ±0.0005 FOUR PLACE DECIMAL ±0.0005 | | BREAK ALL SHARP EDGES | | TITLE: 500X750X188IN BORE SPACER | | | |
| MATERIAL NYLON | | CHECKED | NAME NL | DATE 6/12/18 | SIZE A | DWG. NO. am-1181 | REV 2 |
| FINISH DEBURRED | | ENG APPR. | | MFG APPR. | | SCALE: 4:1 WEIGHT: SHEET 1 OF 1 | |
| DO NOT SCALE DRAWING | | Q.A. | | | | | |