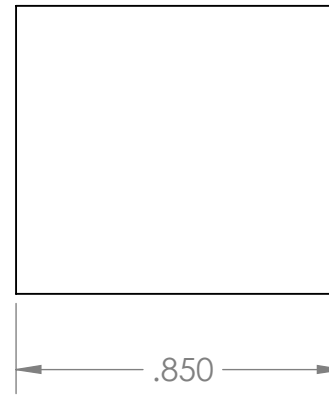
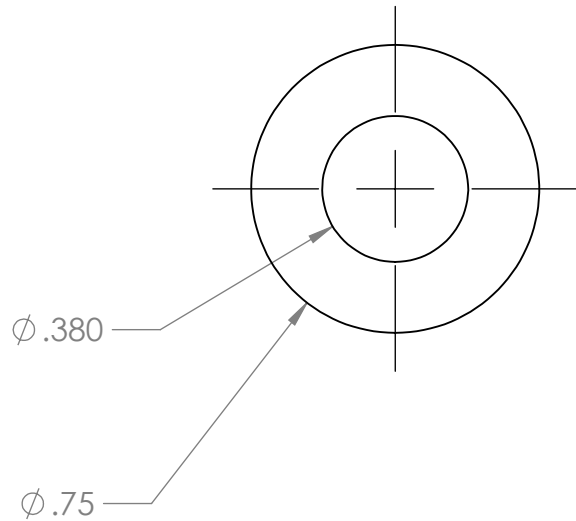



REVISION HISTORY			
REV.	DESCRIPTION	DATE	DRAWN BY
1	ORIGINAL PRINT	6/24/2014	R. BAKER
2	DRAWN TO MEET AMDS-1	6/8/2018	B. HODSON



*** SEE CAD FOR ADDITIONAL TOOLPATH INFO***

UNLESS OTHERWISE SPECIFIED:		COMMENTS:				
DIMENSIONS ARE IN INCHES		DUAL DIMENSIONS ARE IN MILLIMETERS.				
TOLERANCES: FRACTIONAL ±1/16 ANGULAR: MACH ±1° ANGULAR: BEND ±5° ONE PLACE DECIMAL ±0.1 TWO PLACE DECIMAL ±0.01 THREE PLACE DECIMAL ±0.0005 FOUR PLACE DECIMAL ±0.0005		BREAK ALL SHARP EDGES		380X750X850IN SPACER		
MATERIAL		NAME	DATE	SIZE	DWG. NO.	REV
NYLON		CHECKED	NL	6/12/18	A	2
FINISH		ENG APPR.			am-1307	
DO NOT SCALE DRAWING		MFG APPR.			SCALE: 2:1	WEIGHT:
		Q.A.				SHEET 1 OF 1