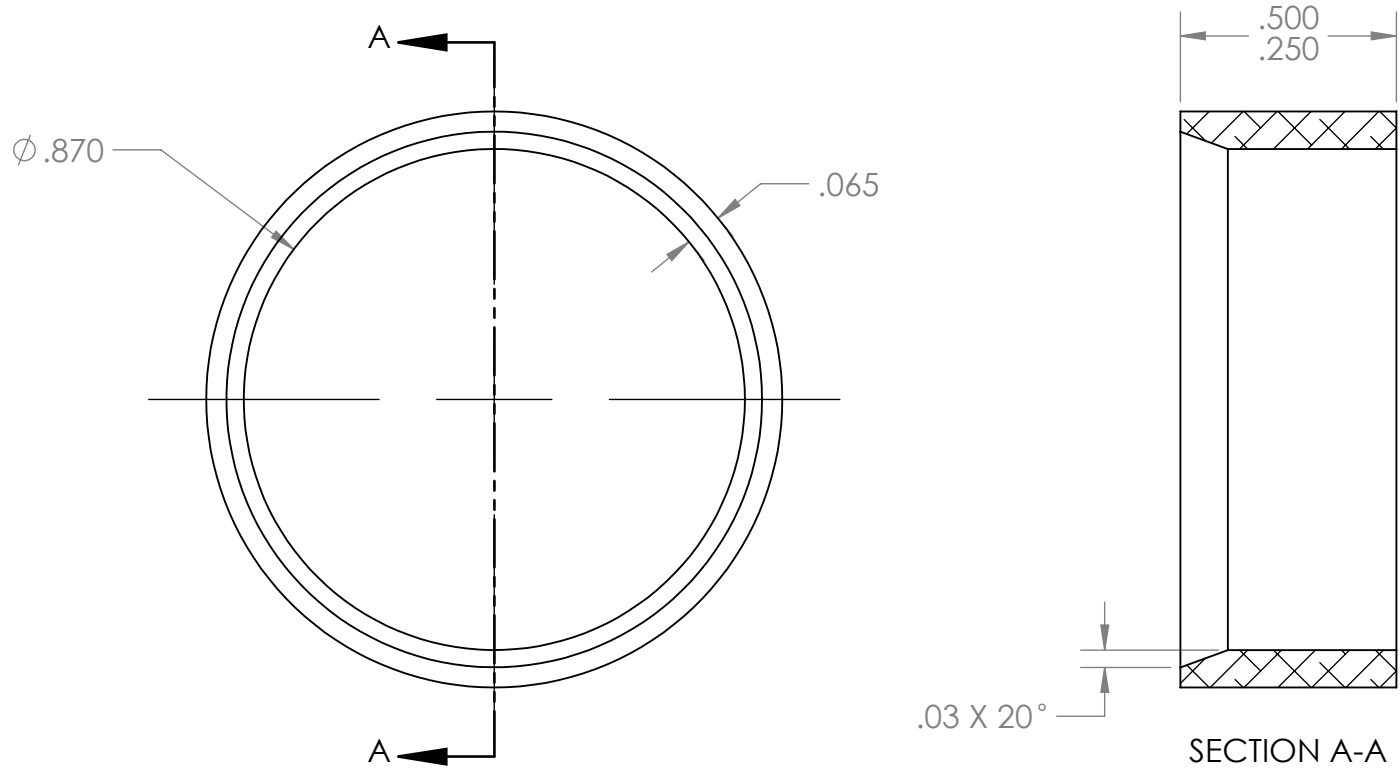



Rev	Discription of Changes
1	Original Print
2	Added tolerance to overall length. New sheet format.



UNLESS OTHERWISE SPECIFIED:		NAME	DATE	
DIMENSIONS ARE IN INCHES		DRAWN	NL	
TOLERANCES:		CHECKED		TITLE: Wormbox Ring
FRACTIONAL ±		ENG APPR.		
ANGULAR: MACH ± BEND ±5°		MFG APPR.		
TWO PLACE DECIMAL ±0.010		Q.A.		SIZE DWG. NO. REV A am-2114 2
THREE PLACE DECIMAL ±0.005		COMMENTS:		
INTERPRET GEOMETRIC TOLERANCING PER:				SCALE: 3:1 WEIGHT: SHEET 1 OF 1
MATERIAL				
6061 ALUMINUM				
FINISH				
DEBURRED				
DO NOT SCALE DRAWING				