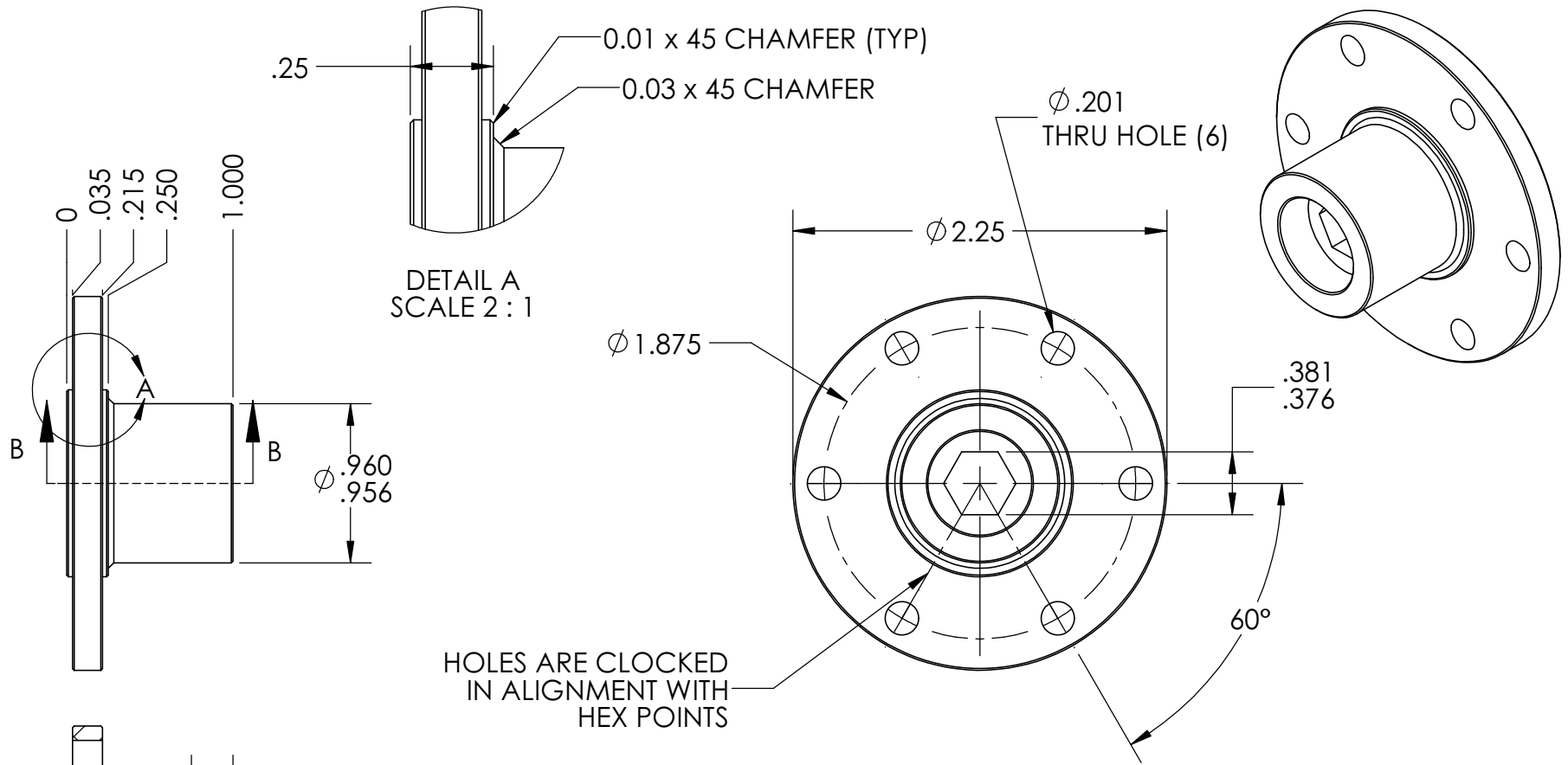
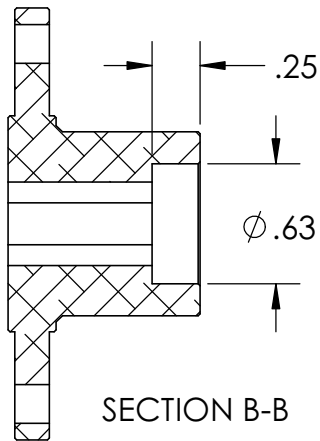


REVISION HISTORY			
REV.	DESCRIPTION	DATE	DRAWN BY
1	ORIGINAL PRINT	2/8/2018	AB



*** SEE CAD FOR ADDITIONAL TOOLPATH INFO***



UNLESS OTHERWISE SPECIFIED:		COMMENTS:				
DIMENSIONS ARE IN INCHES		DUAL DIMENSIONS ARE IN MILLIMETERS.				
TOLERANCES:		BREAK ALL SHARP EDGES.		SIZE A	DWG. NO. am-2231b	REV 1
FRACTIONAL	±1/16					
ANGULAR: MACH	±1°			SHEET 1 OF 1		
ANGULAR: BEND	±5°					
ONE PLACE DECIMAL	±0.1					
TWO PLACE DECIMAL	±0.01					
THREE PLACE DECIMAL	±0.005					
FOUR PLACE DECIMAL	±0.0005					
MATERIAL	6061 Aluminum	NAME	DATE			
FINISH	Tumbled	CHECKED	AB	2/9		
DO NOT SCALE DRAWING		ENG APPR.				
		MFG APPR.				
		Q.A.				