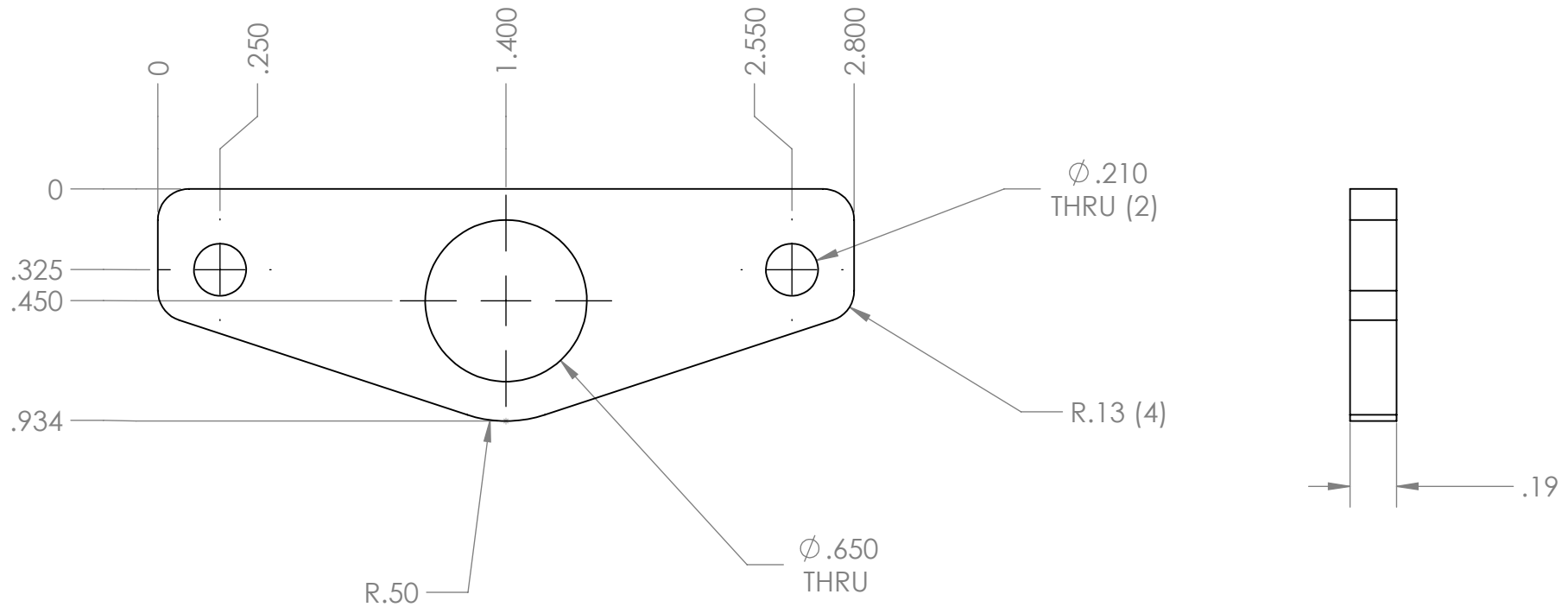



REVISIONS			
REV.	DESCRIPTION	DATE	DRAWN BY
1	ORIGINAL PRINT		A. BAKER
2	DRAWN TO MEET AMDS-1, OVERDIMENSIONS REMOVED	5/16/2018	A. SHORES



*** SEE CAD FOR ADDITIONAL TOOLPATH INFO***

UNLESS OTHERWISE SPECIFIED:		COMMENTS:				
DIMENSIONS ARE IN INCHES		DUAL DIMENSIONS ARE IN MILLIMETERS.				
TOLERANCES:		BREAK ALL SHARP EDGES		TITLE:		
FRACTIONAL	±1/16			SHIFTER CYLINDER		
ANGULAR: MACH	±1°			PLATE		
ANGULAR: BEND	±5°			SIZE	DWG. NO.	REV
ONE PLACE DECIMAL	±0.1			A	am-2263	2
TWO PLACE DECIMAL	±0.01			SCALE: 3:2 WEIGHT: SHEET 1 OF 1		
THREE PLACE DECIMAL	±0.0005					
FOUR PLACE DECIMAL	±0.0005					
MATERIAL	6061-T6 ALUMINUM	CHECKED	NAME	DATE		
FINISH	TUMBLLED	ENG APPR.	NL	5/29/18		
DO NOT SCALE DRAWING		MFG APPR.				
		Q.A.				