

ANSI 25 SERIES ROLLER SPROCKET, 10 TOOTH  
FOR PROFILE GEOMETRY SEE CAD GEOMETRY

0.01 x 45 DEG  
CHAMFER

$\phi$ .550

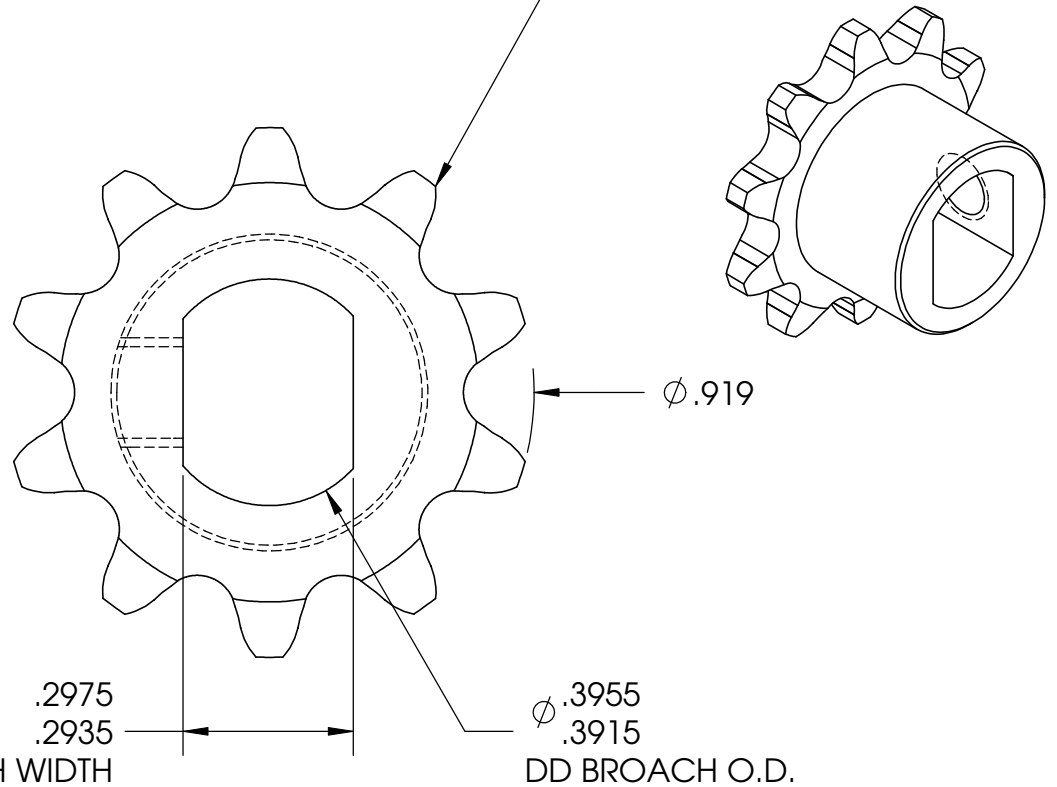
DRILL & TAP  
THRU TO BORE  
FOR # 10-32  
SCREW

.115

.489

.026

.095



DD BROACH WIDTH

DD BROACH O.D.

UNLESS OTHERWISE SPECIFIED:  
DIMENSIONS ARE IN MILLIMETERS  
SURFACE FINISH:  
TOLERANCES:  
LINEAR:  
ANGULAR:

FINISH:  
**Tumbled**

DEBUR AND  
BREAK SHARP  
EDGES

DO NOT SCALE DRAWING

REVISION **2**

AndyMark, Inc.

	NAME	SIGNATURE	DATE		
DRAWN	PK		9/21/2012		
CHKD					
APPVD					
MFG					
Q.A					
				MATERIAL:	
				7075 Aluminum	
				WEIGHT:	

TITLE:  
**# 25 10mm DD  
10 Tooth Sprocket**

DWG NO. **am-2280**

A4

SCALE: 4:1

SHEET 1 OF 1