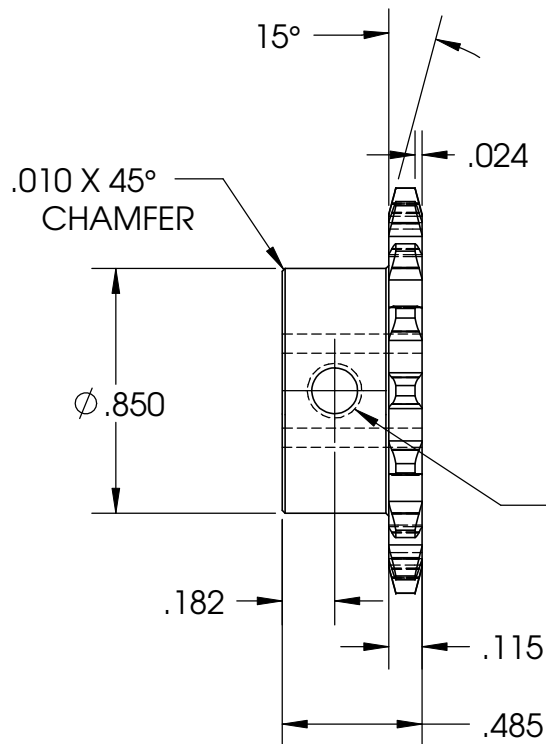
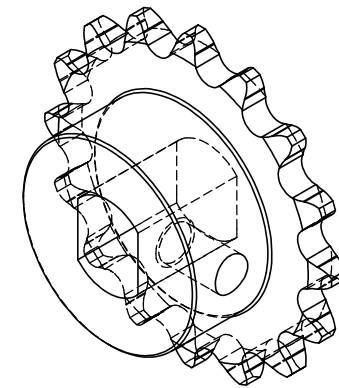
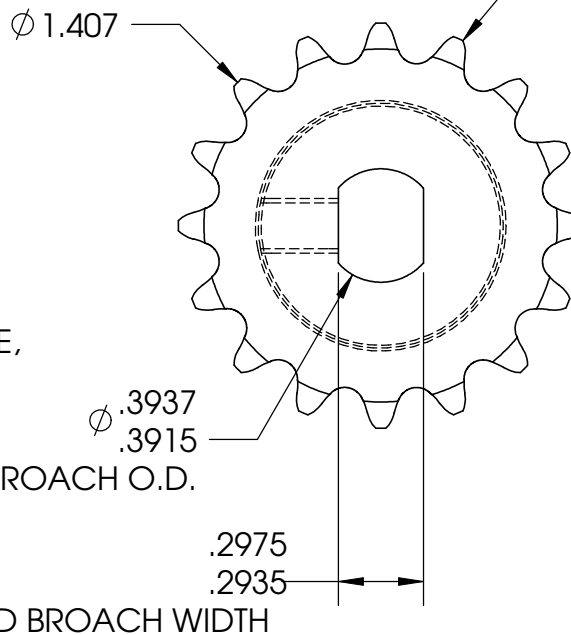


ANSI 25 SERIES ROLLER SPROCKET, 16 TOOTH
 FOR PROFILE GEOMETRY SEE CAD GEOMETRY



10-32 TAPPED HOLE,
 THRU TO DD BORE



UNLESS OTHERWISE SPECIFIED: DIMENSIONS ARE IN MILLIMETERS		FINISH: Tumbled		DEBUR AND BREAK SHARP EDGES	
SURFACE FINISH:		DATE		REVISION	
TOLERANCES:		9/12		2	
LINEAR:				TITLE:	
ANGULAR:				S25-16H-10mm DD Sprocket	
DRAWN	NAME	SIGNATURE		MATERIAL:	DWG NO.
CHKD	PK			7075 Aluminum	am-2282
APPVD					
MFG					
Q.A				WEIGHT:	SCALE:2:1
					SHEET 1 OF 1

AndyMark, Inc.

S25-16H-10mm
 DD Sprocket
 am-2282

A4