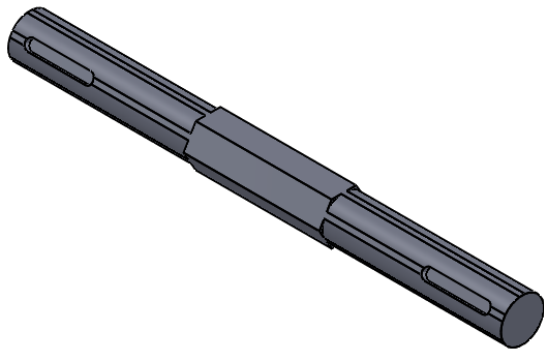
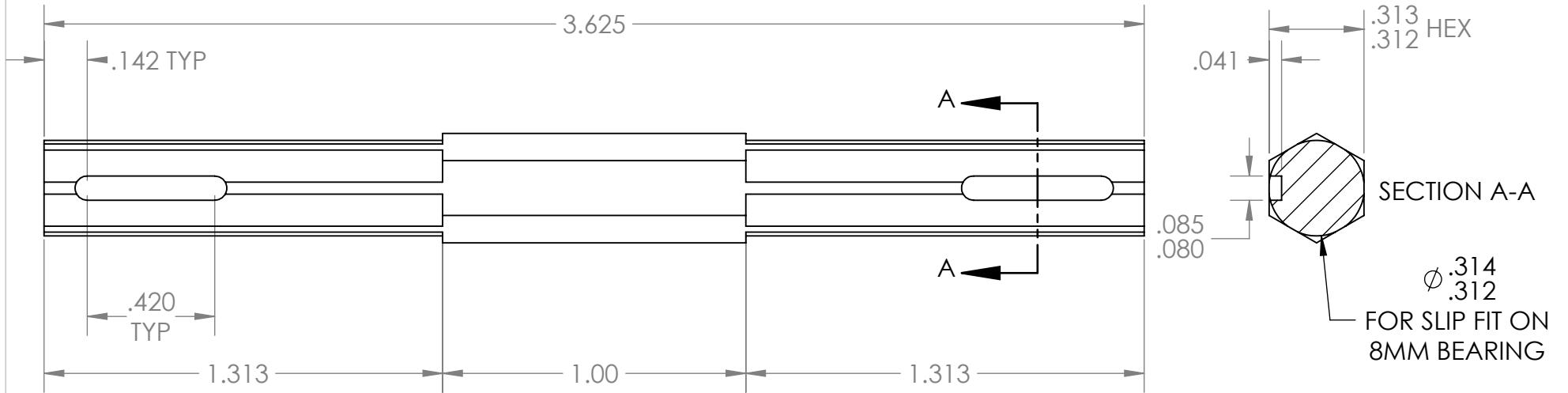



Rev	Discription of Changes
1	Original Print
1.1	Changed tolerance on round ends dia.



UNLESS OTHERWISE SPECIFIED:		NAME	DATE
DIMENSIONS ARE IN INCHES		DRAWN	NL 1/28/15
TOLERANCES:		CHECKED	
FRACTIONAL \pm		ENG APPR.	
ANGULAR: MACH \pm BEND $\pm 5^\circ$		MFG APPR.	
TWO PLACE DECIMAL ± 0.010		Q.A.	
THREE PLACE DECIMAL ± 0.005		COMMENTS:	
INTERPRET GEOMETRIC TOLERANCING PER:			
MATERIAL			
4140 STEEL			
FINISH			
ZINC PLATED			
DO NOT SCALE DRAWING			



TITLE:
RAWBOX WORM SHAFT

SIZE	DWG. NO.	REV
A	am-2364	1.1

SCALE: 2:1 WEIGHT: SHEET 1 OF 1