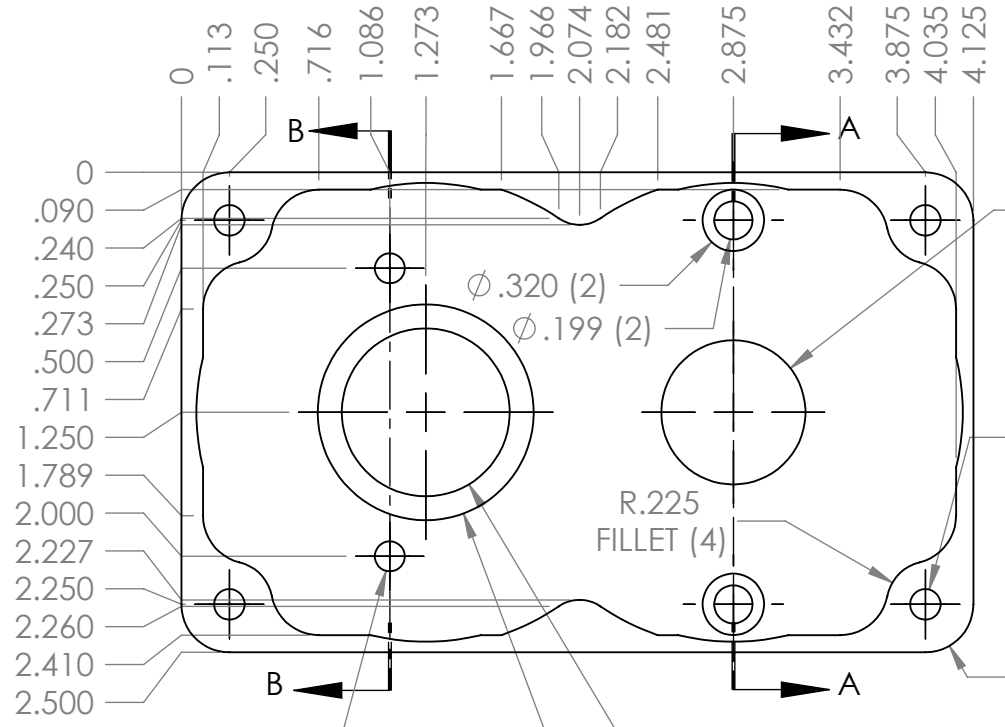


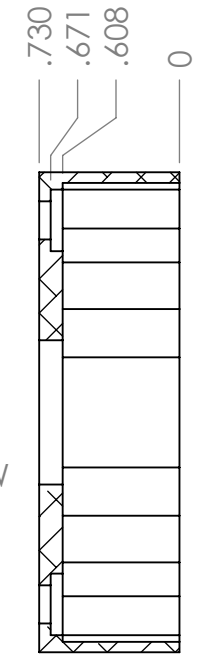
SECTION B-B



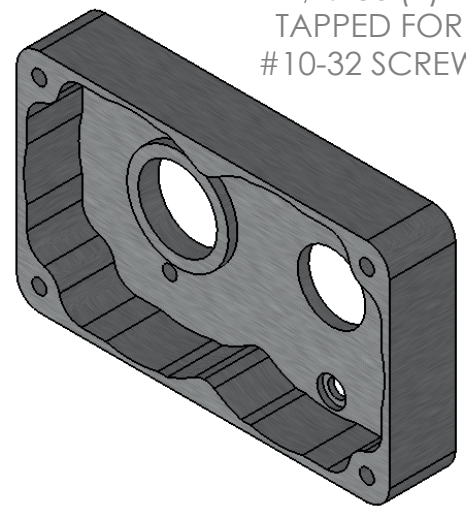
$\phi .156$ (2)
TAPPED FOR
#10-32 SCREW

$\phi .159$ (4)
TAPPED FOR
#10-32 SCREW

R.250
FILLET (12)



SECTION A-A



UNLESS OTHERWISE SPECIFIED:	NAME	DATE
DIMENSIONS ARE IN INCHES	DRAWN	CGTN 1/11/13
TOLERANCES:	CHECKED	
FRACTIONAL \pm	ENG APPR.	
ANGULAR: MACH \pm BEND \pm	MFG APPR.	
TWO PLACE DECIMAL \pm	Q.A.	
THREE PLACE DECIMAL \pm	COMMENTS:	
INTERPRET GEOMETRIC TOLERANCING PER:		
MATERIAL		
6061 Aluminum		
FINISH		
Tumbled		
DO NOT SCALE DRAWING		

AndyMark Inc.

TITLE:
SpinBox Housing

SIZE	DWG. NO.	REV
A	am-2456	1

SCALE: 1:1	WEIGHT:	SHEET 1 OF 1
------------	---------	--------------