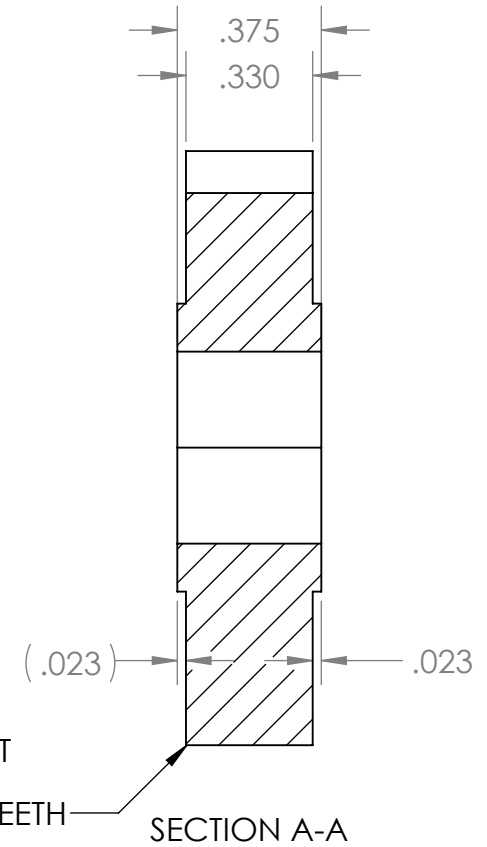
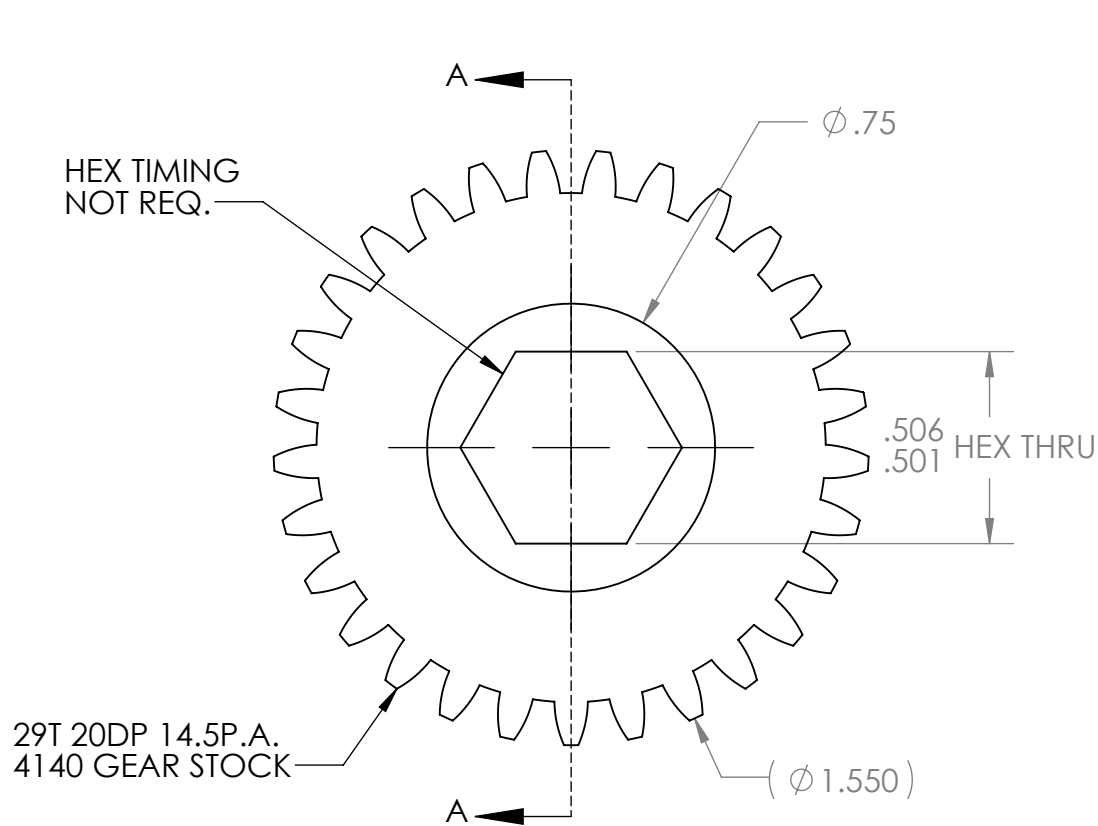
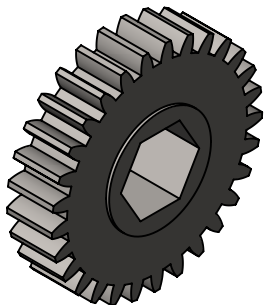



REVISION HISTORY			
REV.	DESCRIPTION	DATE	DRAWN BY
1	ORIGINAL PRINT	2013	
2	REDRAWN TO AM STANDARD, ADDED ACTUAL TEETH	2/12/2018	N. LAWRENCE



*** SEE CAD FOR ADDITIONAL TOOLPATH INFO***



UNLESS OTHERWISE SPECIFIED:		COMMENTS:				
DIMENSIONS ARE IN INCHES		DUAL DIMENSIONS ARE IN MILLIMETERS.				
TOLERANCES:		BREAK ALL SHARP EDGES.		TITLE:		
FRACTIONAL	$\pm 1/16$			29T 20DP 500HEX GEAR		
ANGULAR: MACH	$\pm 1^\circ$			SIZE	DWG. NO.	REV
ANGULAR: BEND	$\pm 5^\circ$			A	am-2461	2
ONE PLACE DECIMAL	± 0.1			SCALE: 2:1		
TWO PLACE DECIMAL	± 0.01			SHEET 1 OF 1		
THREE PLACE DECIMAL	± 0.005					
FOUR PLACE DECIMAL	± 0.0005					
MATERIAL	4140 STEEL	CHECKED	NAME	DATE		
FINISH	ZINC PLATED	ENG APPR.				
DO NOT SCALE DRAWING		MFG APPR.				
		Q.A.				