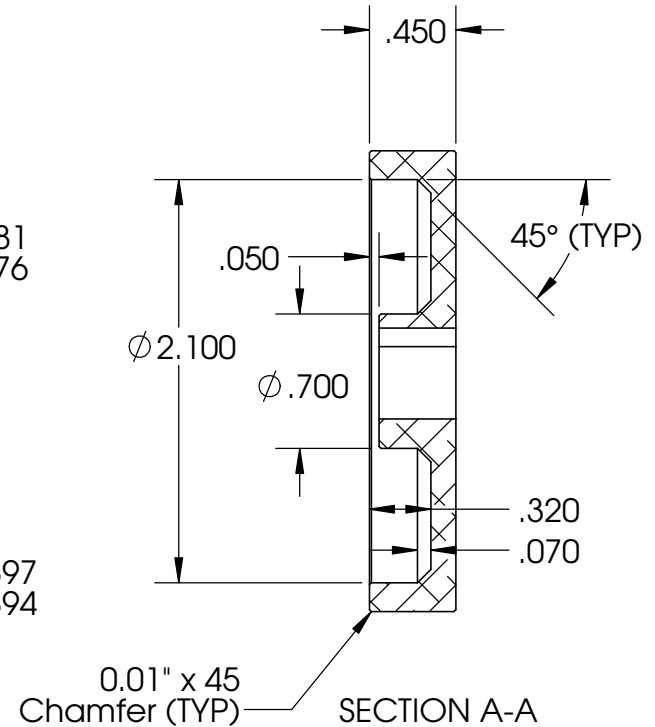
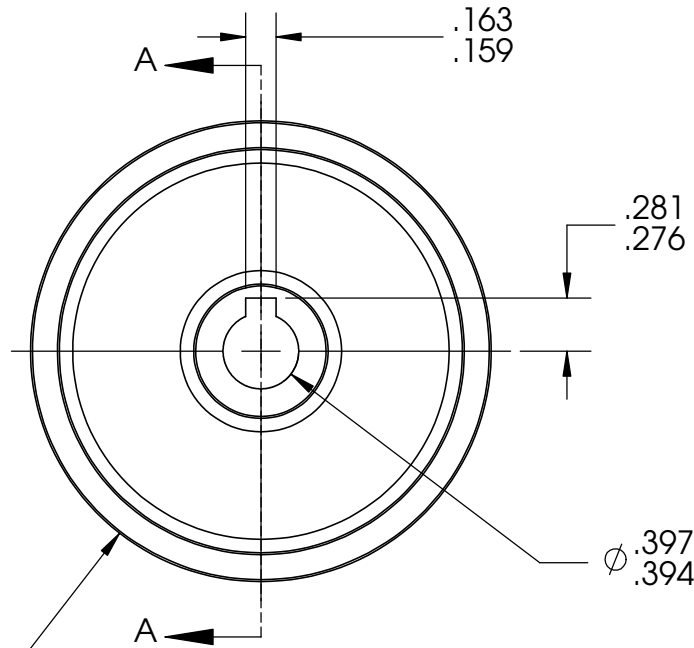




$\phi 2.400$
 Pitch Diameter Gear
 48 Tooth, 20 DP
 14.5° P.A.



PROPRIETARY AND CONFIDENTIAL
 THE INFORMATION CONTAINED IN THIS DRAWING IS THE SOLE PROPERTY OF <INSERT COMPANY NAME HERE>. ANY REPRODUCTION IN PART OR AS A WHOLE WITHOUT THE WRITTEN PERMISSION OF <INSERT COMPANY NAME HERE> IS PROHIBITED.

		UNLESS OTHERWISE SPECIFIED:		NAME	DATE
		DIMENSIONS ARE IN INCHES	DRAWN	AB	9/2014
		TOLERANCES:	CHECKED		
		FRACTIONAL: ± 0.01	ENG APPR.		
		ANGULAR: ± 0.1	MFG APPR.		
		TWO PLACE DECIMAL ± 0.01	Q.A.		
		THREE PLACE DECIMAL ± 0.005	COMMENTS:		
		INTERPRET GEOMETRIC TOLERANCING PER:			
		MATERIAL			
		Aluminum Gear Stock			
		FINISH			
		Nituff Anodization			
NEXT ASSY	USED ON	APPLICATION			
		DO NOT SCALE DRAWING			



TITLE:
**48T 10mm
 Key Bore Gear**

SIZE	DWG. NO.	REV
A	am-3014	2

SCALE:	WEIGHT:	SHEET 1 OF 1
--------	---------	--------------