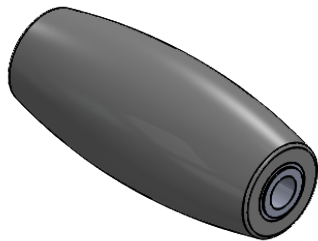
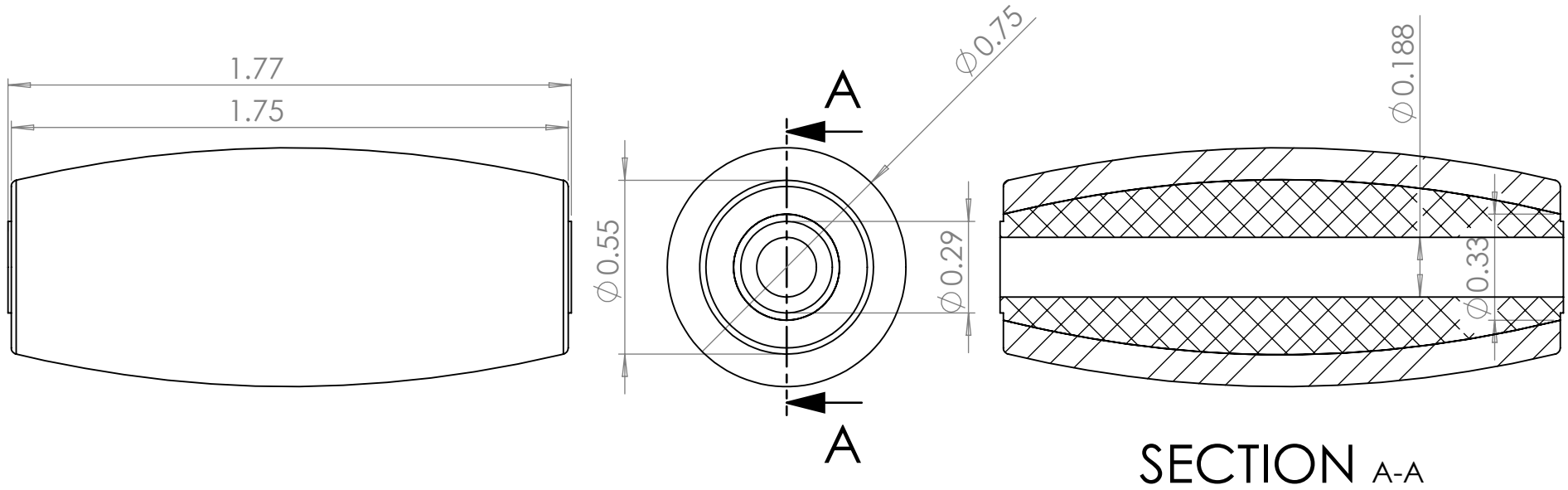



Rev	Description of Changes
1	Original Print
2	Thicker TPU outer shell



UNLESS OTHERWISE SPECIFIED:		NAME	DATE		
DIMENSIONS ARE IN INCHES TOLERANCES: FRACTIONAL \pm ANGULAR: MACH \pm BEND $\pm 5^\circ$ TWO PLACE DECIMAL ± 0.010 THREE PLACE DECIMAL ± 0.005		DRAWN	JA		
INTERPRET GEOMETRIC TOLERANCING PER: MATERIAL Material		CHECKED			SIZE A DWG. NO. am-3027 REV 2
FINISH DEBURRED		ENG APPR.			SCALE: 2:1 WEIGHT: SHEET 1 OF 1
DO NOT SCALE DRAWING		MFG APPR.			
		Q.A.			
		COMMENTS:			
		Dual dimensions are in millimeters			